



KMH-Line Condensing Units

PRODUCT DATA & SPECIFICATIONS

Bulletin K40-KMH-PDS-50

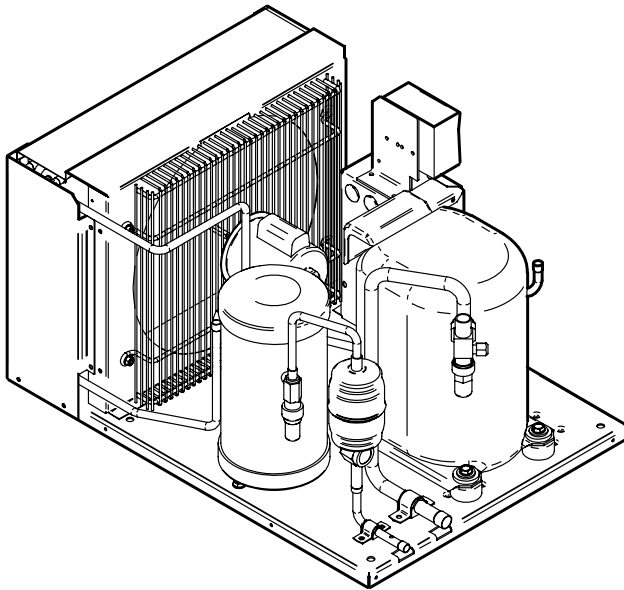
1079230-50

We are on the Internet 
www.keepriterefrigeration.com

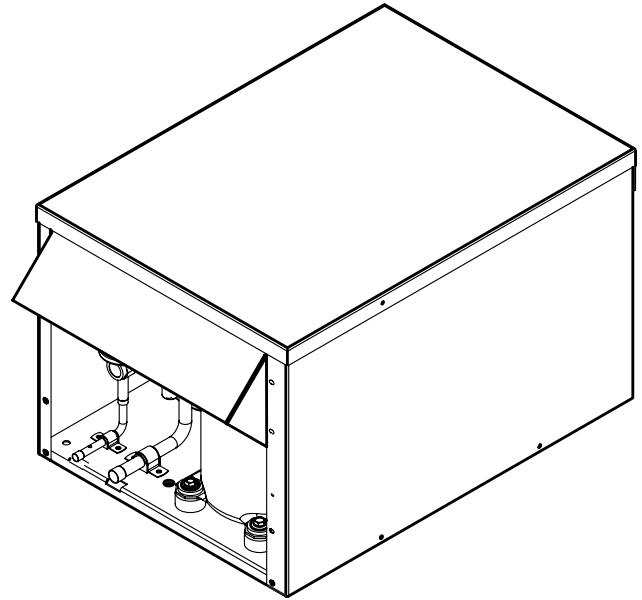


Indoor/Outdoor Compact
Air-Cooled Hermetic
Condensing Units

1/2 to 5 HP -
High, Medium and Low
Temperature Refrigeration



Indoor Unit

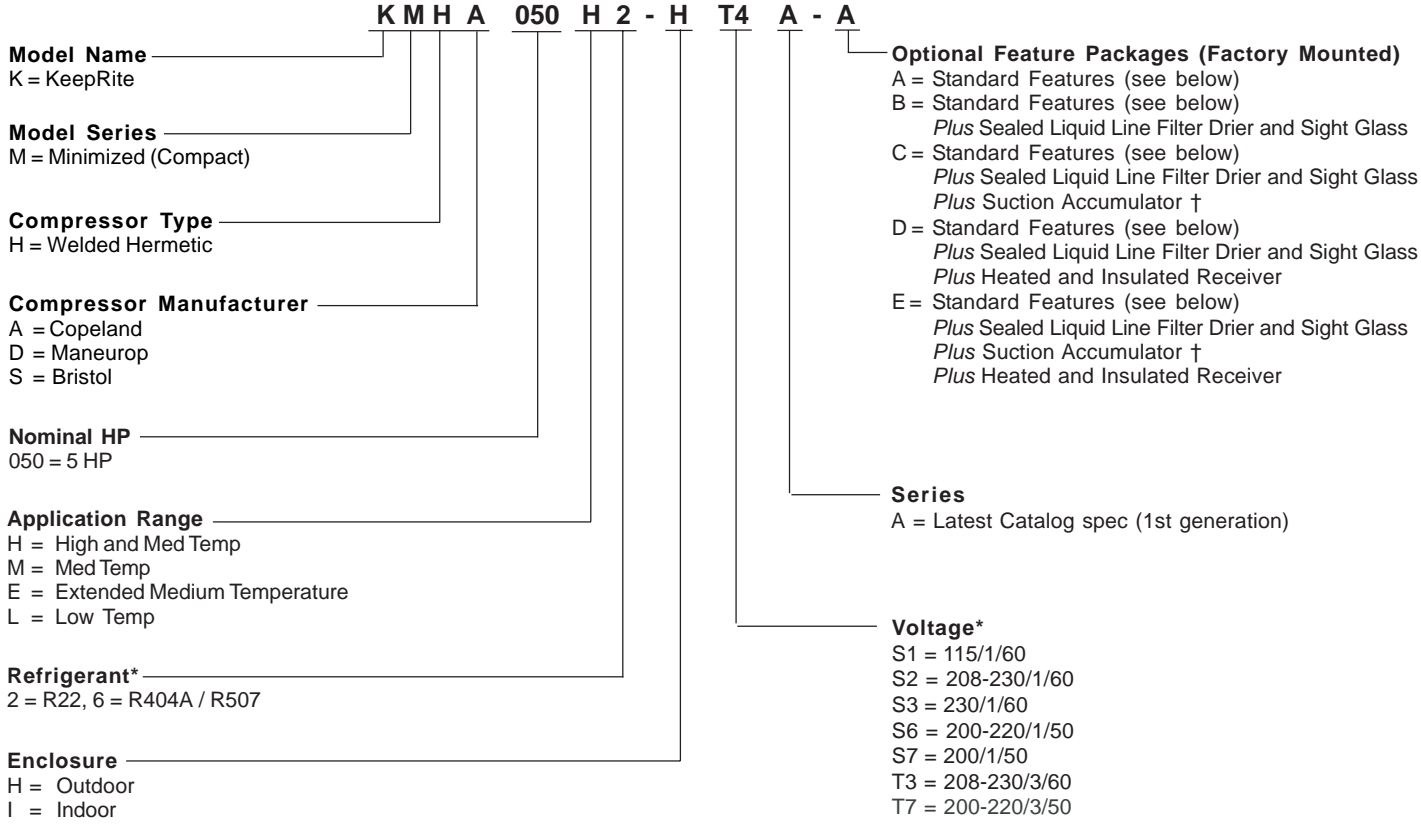


Outdoor Unit

CONTENTS

	Page
Nomenclature.....	2
Features.....	3
Capacity Data (<i>Metric</i>).....	4-14
Electrical Data.....	15-17
Dimensional Data.....	18, 19
Specifications.....	20
Wiring Diagrams.....	21-23

NOMENCLATURE



* Subject to compressor availability

† Suction Accumulator Option Available ONLY with 2HP and larger KMHA and KMHS

STANDARD FEATURES

- Space saving, compact design
- Copeland (H/E/L), Bristol R22 (H) or Maneurop R404A/R507 (M/L) hermetic compressor
- High efficiency PSC fan motors
- Enhanced tube condenser coil
- Copper tubing secured with cushion clamps
- Outdoor weather resistant housing with removable hood (standard on outdoor models)
- Adjustable low (1 HP and below) or high/low pressure control (above 1 HP)
- Fan guard
- Receiver outlet valve
- Flooded Head Pressure Control (standard on outdoor models)
- Crankcase Heater (standard on outdoor models)

OPTIONAL FEATURE (Field Mounted)

- Knockdown outdoor cabinet

CONDENSING UNIT MODEL	SATURATED SUCTION TEMPERATURE °C	AMBIENT TEMPERATURE °C						
		26.6	29.4	32.2	35	37.8	40.6	43.3
KMHA005H2 Compressor Model ARE59C3	7.2	1854	1793	1734	1674	1617	1563	1514
	4.4	1705	1648	1588	1532	1480	1426	1380
	1.7	1560	1507	1449	1398	1346	1297	1249
	-1.1	1421	1369	1321	1269	1220	1171	1127
	-3.9	1289	1241	1192	1145	1099	1055	1011
	-6.7	1161	1119	1073	1031	986	944	903
	-9.4	1042	1001	962	920	882	839	802
	-12.2	926 †	892 †	859 †	820 †	784 †	745 †	709 †
	-15.0	823 †	795 †	764 †	727 †	693 †	657 †	---
-17.8	725 †	701 †	676 †	642 †	---	---	---	
KMHA008H2 Compressor Model RS47C2	7.2	2579	2479	2375	2275	2174	2069	1968
	4.4	2360	2264	2167	2071	1978	1883	1787
	1.7	2145	2058	1968	1881	1793	1705	1617
	-1.1	1945	1862	1779	1699	1617	1535	1452
	-3.9	1751	1676	1602	1524	1449	1375	1297
	-6.7	1568	1499	1429	1357	1289	1220	1148
	-9.4	1393	1328	1264	1199	1135	1067	1001
	-12.2	1225	1166	1104	1047	986	923	864
	-15.0	1063 †	1008 †	954 †	898 †	843 †	---	---
-17.8	908 †	859 †	804 †	756 †	---	---	---	
KMHA011H2 Compressor Model RS70C1	7.2	3766	3611	3456	3301	3172	3043	---
	4.4	3456	3301	3147	3018	2889	2760	2651
	1.7	3147	2992	2863	2734	2605	2481	2375
	-1.1	2837	2708	2579	2453	2329	2216	2115
	-3.9	2563	2440	2314	2192	2073	1962	1862
	-6.7	2295	2180	2058	1942	1829	1720	1622
	-9.4	2037	1929	1813	1702	1594	1491	1396
	-12.2	1793 †	1690 †	1581 †	1475 †	1369 †	1269 †	1174 †
	-15.0	1558 †	1457 †	1357 †	1256 †	1155 †	1058 †	---
-17.8	1331 †	1241 †	1145 †	1047 †	---	---	---	
KMHA015H2 Compressor Model CR18KQ	7.2	5339	5107	4874	4642	4411	4178	---
	4.4	4849	4642	4411	4204	3998	3766	3560
	1.7	4384	4178	3971	3791	3585	3378	3172
	-1.1	3946	3740	3560	3378	3172	2992	2785
	-3.9	3508	3327	3147	2966	2785	2605	2430
	-6.7	3095	2940	2760	2605	2427	2259	2089
	-9.4	2708	2561	2402	2244	2086	1926	1767
	-12.2	2360 †	2213 †	2064 †	1917 †	1767 †	1615 †	1468 †
	-15.0	2030 †	1890 †	1754 †	1612 †	1475 †	1333 †	---
-17.8	1731 †	1602 †	1475 †	1341 †	---	---	---	
KMHA020H2 Compressor Model CR24KQ	7.2	7041	6758	6500	6215	5932	5649	5339
	4.4	6422	6164	5907	5649	5364	5107	4823
	1.7	5829	5597	5339	5107	4849	4591	4333
	-1.1	5262	5029	4797	4565	4359	4101	3868
	-3.9	4719	4514	4307	4075	3868	3663	3430
	-6.7	4204	4023	3817	3611	3430	3224	3018
	-9.4	3714	3533	3378	3198	2992	2812	2630
	-12.2	3275	3120	2940	2785	2605	2447	2270
	-15.0	2863	2708	2563	2414	2264	2107	1945
-17.8	2471	2342	2213	2079	1945	---	---	

--- Outside Operating Range † Max 40°F RGT

CONDENSING UNIT MODEL	SATURATED SUCTION TEMPERATURE °C	AMBIENT TEMPERATURE °C						
		26.6	29.4	32.2	35	37.8	40.6	43.3
KMHA025H2 Compressor Model CR32KQ	7.2	9130	8795	8459	8124	7814	7479	7144
	4.4	8356	8047	7737	7428	7118	6809	6500
	1.7	7608	7325	7041	6758	6473	6190	5907
	-1.1	6912	6655	6396	6138	5855	5597	5339
	-3.9	6242	6010	5752	5519	5262	5029	4797
	-6.7	5622	5390	5159	4926	4719	4488	4281
	-9.4	5004	4797	4591	4384	4178	3971	3766
	-12.2	4436	4230	4023	3843	3636	3456	3275
	-15.0	3868	3663	3482	3301	3120	2966	---
-17.8	3301	3120	2940	2785	2605	2455	---	
KMHA031H2 Compressor Model CR37KQ	7.2	10213	9826	9440	9079	8692	8331	---
	4.4	9388	9027	8666	8305	7944	7608	7273
	1.7	8589	8254	7918	7583	7248	6912	6603
	-1.1	7814	7506	7170	6860	6551	6242	5932
	-3.9	7066	6758	6473	6164	5855	5571	5287
	-6.7	6345	6061	5777	5494	5210	4926	4668
	-9.4	5649	5390	5107	4849	4591	4333	4075
	-12.2	4978	4746	4488	4230	3998	3740	3508
	-15.0	4359	4126	3895	3636	3405	3172	---
-17.8	3766	3533	3327	3095	---	---	---	
KMHA035H2 Compressor Model CR41KQ	7.2	11116	10703	10265	9852	9414	8975	---
	4.4	10239	9852	9440	9053	8666	8254	---
	1.7	9362	9002	8640	8279	7918	7557	7170
	-1.1	8511	8176	7841	7506	7196	6835	6500
	-3.9	7686	7376	7093	6783	6473	6164	5855
	-6.7	6912	6628	6345	6061	5777	5494	5236
	-9.4	6138	5880	5622	5390	5132	4874	4616
	-12.2	5442†	5210†	4952†	4719†	4488†	4256†	4023†
	-15.0	4771†	4539†	4333†	4101†	3895†	---	---
-17.8	4153	3946†	3740†	3533†	---	---	---	
KMHA040H2 Compressor Model CR53KQ	7.2	15242	14675	14108	13541	12947	12380	11812
	4.4	13953	13438	12921	12380	11864	11322	10806
	1.7	12715	12250	11761	11271	10806	10316	9826
	-1.1	11529	11091	10652	10213	9750	9310	8872
	-3.9	10368	9981	9568	9156	8769	8356	7944
	-6.7	9285	8924	8537	8176	7814	7428	7066
	-9.4	8254	7918	7557	7221	6886	6551	6215
	-12.2	7273†	6963†	6655†	6319†	6010†	5700†	5390†
	-15.0	6370†	6087†	5777†	5494†	5210†	4901†	---
-17.8	5545†	5262†	4978†	4694†	---	---	---	
KMHA050H2 Compressor Model CRN5-0500	7.2	17203	16610	15990	15423	14830	14237	---
	4.4	15785	15242	14701	14134	13592	13050	---
	1.7	14443	13927	13438	12921	12405	11915	11400
	-1.1	13153	12690	12225	11761	11271	10806	10316
	-3.9	11915	11503	11064	10626	10161	9723	9259
	-6.7	10755	10343	9930	9517	9104	8666	8227
	-9.4	9620	9233	8847	8459	8047	7634	7221
	-12.2	8511†	8150†	7789†	7402†	7041†	6628†	6215†
	-15.0	7454†	7118†	6758†	6396†	6010†	---	---
-17.8	6422†	6087†	5752†	5390†	---	---	---	

--- Outside Operating Range † Max 40°F RGT

CONDENSING UNIT MODEL	SATURATED SUCTION TEMPERATURE °C	AMBIENT TEMPERATURE °C						
		26.6	29.4	32.2	35.0	37.8	40.6	43.3
KMHA006E6 Compressor Model RS43C2E *	-1.1	1940	1829	1712	1604	1496	1388	1282
	-3.9	1785	1679	1579	1478	1377	1277	1181
	-6.7	1630	1535	1441	1349	1258	1169	1081
	-9.4	1480	1393	1308	1225	1142	1060	978
	-12.2	1333	1253	1176	1101	1026	951	879
	-15.0	1192	1122	1052	983	913	846	779
	-17.8	1058	993	931	869	804	743	684
	-20.6	906	848	790	738	680	626	570
	-23.3	788	741	688	635	585	532	483
	-26.1	686	638	593	543	498	448	400
-28.9	590	548	505	458	415	368	323	
-31.7	508	466	425	383	341	293	250	
KMHA008E6 Compressor Model RS55C2E *	-1.1	2358	2223	2089	1955	1826	1695	1568
	-3.9	2164	2042	1919	1795	1676	1558	1439
	-6.7	1978	1865	1754	1640	1529	1419	1313
	-9.4	1798	1692	1588	1488	1385	1287	1184
	-12.2	1622	1527	1432	1338	1246	1153	1063
	-15.0	1452	1364	1280	1192	1109	1026	944
	-17.8	1294	1214	1135	1055	978	900	825
	-20.6	1108	1036	965	896	828	758	691
	-23.3	968	906	840	776	710	650	588
	-26.1	843	782	723	666	605	546	490
-28.9	726	672	615	561	505	448	395	
-31.7	623	573	518	463	413	360	310	
KMHA009E6 Compressor Model RS64C2E *	-1.1	2744	2602	2463	2319	2177	2032	1885
	-3.9	2527	2399	2267	2136	2004	1870	1738
	-6.7	2316	2197	2076	1958	1837	1715	1594
	-9.4	2112	2004	1893	1785	1674	1563	1449
	-12.2	1919	1818	1715	1617	1516	1416	1316
	-15.0	1731	1640	1545	1455	1361	1272	1178
	-17.8	1547	1468	1382	1300	1217	1135	1050
	-20.6	1336	1261	1188	1113	1040	968	896
	-23.3	1176	1108	1038	973	908	840	776
	-26.1	1023	958	896	839	776	715	661
-28.9	876	818	760	705	650	596	543	
-31.7	738	683	628	578	527	478	430	
KMHA010E6 Compressor Model RS70C1E *	-1.1	3069	2889	2734	2554	2380	2205	2032
	-3.9	2812	2657	2489	2334	2180	2022	1862
	-6.7	2546	2406	2270	2128	1986	1846	1699
	-9.4	2303	2182	2056	1934	1806	1679	1547
	-12.2	2073	1965	1857	1749	1632	1519	1400
	-15.0	1859	1764	1666	1568	1468	1361	1253
	-17.8	1654	1571	1483	1396	1305	1210	1109
	-20.6	1411	1341	1266	1188	1105	1021	930
	-23.3	1223	1161	1094	1021	946	866	778
	-26.1	1040	981	921	853	781	703	620
-28.9	858	801	743	678	608	530	448	
-31.7	675	618	561	495	422	348	263	

--- Outside Operating Range † Max 40°F RGT * Not suitable for use with R-507

CONDENSING UNIT MODEL	SATURATED SUCTION TEMPERATURE °C	AMBIENT TEMPERATURE °C						
		26.6	29.4	32.2	35.0	37.8	40.6	43.3
KMHA016E6 Compressor Model CS10K6E	-1.1	4514	4230	3971	3714	3456	3198	2940
	-3.9	4126	3895	3636	3405	3147	2915	2682
	-6.7	3766	3533	3327	3095	2863	2630	2422
	-9.4	3405	3198	2992	2785	2571	2368	2161
	-12.2	3043	2863	2657	2468	2280	2092	1901
	-15.0	2682	2515	2336	2164	1989	1818	1646
	-17.8	2350	2187	2028	1867	1710	1552	1396
	-20.6	1959	1819	1679	1538	1398	1258	1118
	-23.3	1659	1534	1406	1279	1151	1026	898
	-26.1	1381	1268	1153	1040	925	809	693
-28.9	1131	1031	928	825	721	615	510	
-31.7	916	825	733	638	543	448	350	
KMHA021E6 Compressor Model CS12K6E	-1.1	5829	5519	5184	4874	4565	4256	3946
	-3.9	5262	4978	4694	4411	4101	3817	3533
	-6.7	4746	4488	4204	3946	3663	3405	3147
	-9.4	4256	3998	3766	3508	3275	3018	2785
	-12.2	3791	3560	3327	3095	2889	2657	2430
	-15.0	3353	3147	2940	2708	2510	2308	2105
	-17.8	2940	2734	2546	2355	2164	1981	1798
	-20.6	2472	2292	2119	1949	1784	1621	1462
	-23.3	2112	1944	1784	1629	1478	1333	1191
	-26.1	1769	1613	1465	1321	1188	1056	930
-28.9	1438	1295	1155	1029	906	785	675	
-31.7	1124	986	861	743	628	524	425	
KMHA025E6 Compressor Model CS14K6E	-1.1	6680	6319	5958	5597	5236	4874	4488
	-3.9	6138	5803	5467	5132	4797	4462	4126
	-6.7	5597	5287	4978	4668	4384	4075	3766
	-9.4	5055	4771	4488	4230	3946	3663	3405
	-12.2	4539	4281	4023	3766	3533	3275	3018
	-15.0	4023	3791	3560	3353	3120	2889	2657
	-17.8	3533	3327	3120	2915	2734	2517	2316
	-20.6	2977	2803	2627	2449	2271	2096	1921
	-23.3	2551	2402	2241	2084	1926	1774	1618
	-26.1	2174	2035	1892	1749	1610	1470	1336
-28.9	1827	1698	1572	1448	1324	1201	1081	
-31.7	1523	1409	1295	1183	1075	963	855	
KMHA031E6 Compressor Model CS18K6E	-1.1	8150	7686	7221	6758	6319	5855	5390
	-3.9	7531	7093	6655	6242	5803	5390	4952
	-6.7	6886	6500	6087	5700	5287	4901	4514
	-9.4	6242	5880	5494	5132	4771	4411	4049
	-12.2	5597	5262	4926	4565	4230	3920	3585
	-15.0	4952	4642	4333	4023	3714	3430	3120
	-17.8	4333	4049	3766	3508	3224	2966	2682
	-20.6	3628	3402	3152	2902	2677	2430	2206
	-23.3	3102	2877	2652	2444	2233	2032	1834
	-26.1	2602	2414	2225	2035	1852	1676	1508
-28.9	2174	2006	1838	1679	1522	1374	1236	
-31.7	1808	1666	1526	1389	1261	1139	1033	

--- Outside Operating Range † Max 40°F RGT

**R404A - EXTENDED MEDIUM
TEMPERATURE
CAPACITY WATTS**

CONDENSING UNIT MODEL	SATURATED SUCTION TEMPERATURE °C	AMBIENT TEMPERATURE °F (°C)						
		26.6	29.4	32.2	35.0	37.8	40.6	43.3
KMHA035E6 Compressor Model CS20K6E *	-1.1	9156	8614	8073	7557	7066	6551	6061
	-3.9	8279	7789	7299	6809	6345	5880	5416
	-6.7	7479	7015	6551	6112	5674	5236	4823
	-9.4	6706	6293	5880	5467	5055	4668	4281
	-12.2	6035	5622	5236	4874	4488	4126	3766
	-15.0	5364	5029	4668	4307	3971	3636	3327
	-17.8	4771	4436	4126	3817	3508	3198	2889
	-20.6	4078	3802	3502	3228	2952	2677	2402
	-23.3	3553	3303	3027	2776	2526	2266	2013
	-26.1	3053	2827	2577	2342	2101	1866	1632
	-28.9	2577	2347	2126	1903	1682	1456	1234
-31.7	2072	1871	1664	1454	1241	1029	813	
KMHA040E6 Compressor Model CS27K6E *	-1.1	12408	11792	11176	10560	9944	9328	8712
	-3.9	11264	10736	10120	9592	8976	8448	7832
	-6.7	10208	9680	9152	8624	8096	7568	7128
	-9.4	9152	8712	8184	7744	7304	6776	6336
	-12.2	8175	7735	7322	6890	6477	6037	5623
	-15.0	7225	6838	6450	6090	5702	5315	4954
	-17.8	6345	5984	5650	5315	4981	4673	4303
	-20.6	5342	5051	4770	4488	4206	3925	3634
	-23.3	4594	4330	4101	3846	3608	3379	3124
	-26.1	3898	3687	3485	3274	3098	2886	2684
	-28.9	3274	3098	2939	2790	2605	2446	2270
-31.7	2710	2578	2446	2323	2218	2086	1936	
KMHA050E6 Compressor Model CS33K3E *	-1.1	13288	12672	11968	11264	10648	10032	9328
	-3.9	12232	11616	11000	10384	9856	9240	8642
	-6.7	11176	10648	10120	9504	8976	8430	7894
	-9.4	10120	9680	9152	8624	8149	7665	7172
	-12.2	9161	8694	8254	7788	7322	6890	6450
	-15.0	8175	7762	7348	6934	6530	6142	5729
	-17.8	7225	6864	6503	6142	5782	5421	5034
	-20.6	6142	5826	5518	5210	4902	4594	4259
	-23.3	5342	5078	4796	4514	4233	3942	3661
	-26.1	4620	4382	4154	3898	3634	3379	3124
	-28.9	3995	3793	3555	3353	3124	2886	2658
-31.7	3458	3274	3098	2886	2684	2473	2262	

--- Outside Operating Range † Max 40°F RGT * Not suitable for use with R-507

CONDENSING UNIT MODEL	SATURATED SUCTION TEMPERATURE °C	AMBIENT TEMPERATURE °C						
		26.6	29.4	32.2	35	37.8	40.6	43.3
KMHA006L6 Compressor Model AFT22C1E *	-9.4	1470	1369	1280	1199	1127	1065	1011
	-12.2	1305	1217	1137	1065	1001	947	898
	-15.0	1158	1081	1011	950	890	843	800
	-17.8	1024	959	898	843	792	748	709
	-20.6	903	848	795	748	704	665	629
	-23.3	795	745	704	665	624	588	554
	-26.1	696	657	621	585	549	516	482
	-28.9	606	578	544	513	480	446	413
-31.7	524	498	469	441	410	374	338	
KMHA008L6 Compressor Model AFT26C1E *	-9.4	1759	1671	1584	1496	1411	1331	1256
	-12.2	1576	1496	1419	1338	1261	1189	1122
	-15.0	1398	1328	1264	1192	1122	1058	998
	-17.8	1236	1176	1119	1058	995	939	884
	-20.6	1081	1037	986	934	879	828	779
	-23.3	944	906	864	818	774	727	684
	-26.1	815	789	756	717	676	634	596
	-28.9	701	684	655	624	590	552	516
-31.7	601	588	568	541	510	477	444	
KMHA010L6 Compressor Model CF04K6E *	-12.2	2471	2300	2128	1958	1787	1620	1455
	-15.0	2200	2042	1885	1731	1576	1421	1272
	-17.8	1950	1808	1666	1524	1385	1243	1104
	-20.6	1723	1594	1468	1336	1210	1083	959
	-23.3	1514	1398	1282	1166	1050	939	825
	-26.1	1318	1214	1111	1006	903	802	707
	-28.9	1133	1042	950	856	764	676	590
	-31.7	951	869	787	704	624	546	472
-34.4	771	696	624	549	477	413	348	
KMHA020L6 Compressor Model CF06K6E *	-12.2	3843	3636	3405	3198	2992	2760	2554
	-15.0	3508	3301	3120	2915	2708	2527	2319
	-17.8	3172	2992	2812	2630	2450	2262	2076
	-20.6	2837	2682	2502	2347	2172	2004	1839
	-23.3	2502	2347	2200	2048	1896	1749	1599
	-26.1	2187	2042	1906	1767	1630	1499	1364
	-28.9	1875	1746	1620	1496	1377	1256	1142
	-31.7	1584	1468	1352	1241	1135	1034	936
-34.4	1316	1207	1104	1006	915	828	748	
KMHA025L6 Compressor Model CF09K6E *	-12.2	5649	5339	5029	4719	4411	4101	3817
	-15.0	5132	4849	4539	4256	3998	3714	3430
	-17.8	4616	4359	4101	3843	3560	3327	3069
	-20.6	4126	3895	3636	3405	3172	2940	2708
	-23.3	3663	3430	3224	2992	2785	2574	2368
	-26.1	3224	3018	2812	2605	2416	2226	2037
	-28.9	2785	2605	2422	2241	2066	1896	1728
	-31.7	2386	2218	2056	1893	1738	1586	1434
-34.4	2009	1859	1712	1571	1429	1294	1163	
KMHA031L6 Compressor Model CF12K6E *	-12.2	7066	6680	6267	5880	5494	5107	4746
	-15.0	6422	6061	5700	5339	4978	4642	4281
	-17.8	5803	5467	5132	4823	4488	4178	3843
	-20.6	5210	4901	4616	4307	4023	3714	3430
	-23.3	4642	4384	4101	3843	3560	3301	3043
	-26.1	4101	3868	3611	3378	3120	2889	2657
	-28.9	3611	3378	3147	2940	2708	2494	2283
	-31.7	3120	2915	2708	2507	2306	2107	1914
-34.4	2657	2468	2280	2094	1909	1723	1545	

--- Outside Operating Range † Max 40°F RGT * Not suitable for use with R-507

CONDENSING UNIT MODEL	SATURATED SUCTION TEMPERATURE °C	AMBIENT TEMPERATURE °C						
		26.6	29.4	32.2	35	37.8	40.6	43.3
KMHS011H2 Compressor Model H29B17U	7.2	4023	3843	3688	3508	3327	3172	3018
	4.4	3663	3482	3327	3147	2992	2837	2682
	1.7	3301	3120	2966	2812	2657	2512	2365
	-1.1	2940	2785	2630	2481	2334	2189	2045
	-3.9	2566	2427	2291	2151	2012	1873	1734
	-6.7	2216	2089	1960	1831	1697	1566	1429
	-9.4	1873	1759	1643	1519	1396	1266	1135
	-12.2	1545	1444	1336	1222	1104	980	854
	-15.0	1236	1145	1047	942	828	709	583
-17.8	944	864	776	678	570	454	330	
KMHS015H2 Compressor Model H29B18U	7.2	5313	5081	4849	4642	4411	4204	3998
	4.4	4823	4616	4411	4204	3998	3791	3585
	1.7	4333	4126	3946	3740	3560	3378	3172
	-1.1	3868	3663	3482	3301	3120	2966	2785
	-3.9	3378	3224	3043	2889	2708	2548	2383
	-6.7	2915	2760	2605	2458	2303	2148	1998
	-9.4	2479	2336	2195	2050	1911	1767	1622
	-12.2	2053	1926	1795	1666	1532	1400	1266
	-15.0	1654	1537	1419	1300	1178	1058	934
-17.8	1280	1176	1070	962	851	735	619	
KMHS020H2 Compressor Model H29B24U	7.2	7299	6990	6706	6422	6112	5829	5545
	4.4	6577	6293	6035	5752	5467	5210	4926
	1.7	5880	5622	5364	5107	4849	4591	4359
	-1.1	5210	4978	4746	4488	4256	4023	3791
	-3.9	4565	4359	4126	3920	3688	3482	3275
	-6.7	3946	3766	3560	3353	3172	2966	2785
	-9.4	3378	3198	3018	2837	2682	2507	2350
	-12.2	2812	2657	2510	2363	2220	2086	1955
	-15.0	2303	2177	2050	1932	1821	1712	1615
-17.8	1837	1735	1643	1555	1475	1403	1338	
KMHS031H2 Compressor Model H29B35U	7.2	10085	9723	9362	8975	8614	8254	7892
	4.4	9233	8872	8537	8176	7841	7506	7170
	1.7	8382	8047	7737	7402	7093	6783	6473
	-1.1	7557	7248	6963	6655	6370	6061	5777
	-3.9	6758	6473	6215	5932	5649	5390	5107
	-6.7	5984	5725	5467	5210	4978	4719	4488
	-9.4	5262	5029	4797	4539	4307	4101	3868
	-12.2	4565	4333	4126	3920	3688	3482	3301
	-15.0	3895	3688	3508	3301	3120	2915	2760
-17.8	3275	3095	2915	2734	2563	2396	2239	
KMHS035H2 Compressor Model H23A423	7.2	29221	10884	10471	10058	9672	9259	8847
	4.4	10316	9930	9543	9182	8795	8434	8047
	1.7	9337	9002	8640	8305	7969	7634	7273
	-1.1	8408	8099	7763	7454	7144	6835	6551
	-3.9	7506	7221	6938	6655	6370	6087	5829
	-6.7	6655	6396	6138	5880	5622	5390	5159
	-9.4	5855	5622	5390	5159	4926	4719	4514
	-12.2	5107	4874	4668	4462	4281	4075	3895
	-15.0	4411	4204	4023	3843	3663	3508	3327
-17.8	3766	3585	3430	3250	3120	2966	2812	

--- Outside Operating Range † Max 40°F RGT

CONDENSING UNIT MODEL	SATURATED SUCTION TEMPERATURE °C	AMBIENT TEMPERATURE °C						
		26.6	29.4	32.2	35	37.8	40.6	43.3
KMHS040H2 Compressor Model H23A543	7.2	15217	14649	14134	13592	13076	12535	12019
	4.4	13876	13360	12870	12380	11915	11426	10936
	1.7	12586	12122	11657	11194	10755	10316	9878
	-1.1	11322	10884	10471	10058	9672	9259	8872
	-3.9	10110	9698	9337	8950	8589	8227	7892
	-6.7	8950	8589	8227	7892	7583	7248	6938
	-9.4	7866	7531	7196	6886	6603	6319	6061
	-12.2	6835	6525	6242	5958	5700	5467	5210
	-15.0	5907	5597	5339	5107	4874	4668	4462
-17.8	5029	4771	4539	4307	4126	3946	3766	
KMHS050H2 Compressor Model H23A623	7.2	16636	16068	15527	14985	14443	13876	13283
	4.4	15345	14804	14314	13824	13334	12818	12277
	1.7	14004	13515	13076	12638	12199	11735	11245
	-1.1	12690	12250	11839	11426	11039	10626	10188
	-3.9	11374	10961	10600	10239	9878	9517	9130
	-6.7	10110	9723	9362	9053	8744	8434	8073
	-9.4	8872	8511	8202	7918	7660	7376	7066
	-12.2	7686	7351	7093	6835	6603	6345	6087
	-15.0	6603	6293	6035	5829	5622	5416	5159
-17.8	5622	5339	5107	4901	4719	4539	4333	

--- Outside Operating Range † Max 40°F RGT

CONDENSING UNIT MODEL	SATURATED SUCTION TEMPERATURE °C	AMBIENT TEMPERATURE °C						
		26.6	29.4	32.2	35	37.8	40.6	43.3
KMHD016M6 Compressor Model MTZ18	1.7	4849	4591	4307	4023	3714	3405	3095
	-1.1	4488	4256	3998	3740	3456	3172	2889
	-3.9	4153	3920	3688	3456	3198	2940	2682
	-6.7	3791	3585	3378	3172	2940	2708	2455
	-9.4	3430	3250	3069	2889	2682	2460	2233
	-12.2	3095	2940	2785	2605	2411	2216	2009
	-15.0	2760	2630	2474	2316	2148	1970	1785
	-17.8	2432	2314	2182	2040	1890	1731	1560
	-20.6	2123	2017	1898	1771	1635	1491	1336
-23.3	1826	1731	1624	1511	1390	1256	1117	
KMHD021M6 Compressor Model MTZ22	1.7	6164	5855	5519	5210	4874	4514	4178
	-1.1	5649	5364	5081	4797	4488	4153	3843
	-3.9	5159	4901	4642	4384	4101	3817	3508
	-6.7	4668	4462	4230	3971	3714	3456	3198
	-9.4	4230	4023	3791	3585	3353	3120	2889
	-12.2	3791	3585	3405	3224	3018	2785	2579
	-15.0	3353	3198	3018	2863	2682	2479	2283
	-17.8	2966	2812	2657	2507	2342	2172	1996
	-20.6	2605	2468	2327	2182	2032	1875	1715
-23.3	2267	2138	2009	1873	1735	1594	1447	
KMHD025M6 Compressor Model MTZ28	1.7	7454	7093	6731	6345	5984	5597	5184
	-1.1	6809	6500	6138	5803	5467	5107	4746
	-3.9	6190	5907	5597	5287	4978	4642	4333
	-6.7	5597	5339	5055	4771	4488	4204	3920
	-9.4	5055	4797	4539	4281	4023	3766	3508
	-12.2	4514	4281	4075	3843	3611	3378	3120
	-15.0	4023	3817	3611	3405	3198	2966	2760
	-17.8	3560	3378	3172	2992	2785	2605	2414
	-20.6	3147	2966	2785	2605	2430	2255	2084
-23.3	2760	2605	2422	2252	2089	1926	1770	
KMHD031M6 Compressor Model MTZ36	1.7	8795	8356	7918	7479	7015	6577	6112
	-1.1	8099	7686	7299	6886	6473	6061	5622
	-3.9	7402	7041	6680	6293	5932	5545	5159
	-6.7	6731	6396	6061	5725	5390	5055	4694
	-9.4	6087	5803	5494	5184	4874	4565	4256
	-12.2	5494	5210	4926	4642	4384	4101	3817
	-15.0	4926	4668	4411	4153	3895	3636	3378
	-17.8	4384	4153	3895	3663	3430	3198	2966
	-20.6	3895	3663	3430	3224	2992	2785	2569
-23.3	3430	3198	2992	2785	2579	2383	2189	
KMHD036M6 Compressor Model MTZ44	1.7	10420	9878	9310	8717	8150	7583	6990
	-1.1	9595	9079	8562	8047	7506	6990	6448
	-3.9	8795	8305	7841	7351	6886	6396	5907
	-6.7	7996	7557	7118	6680	6242	5803	5364
	-9.4	7248	6835	6448	6035	5622	5236	4823
	-12.2	6525	6138	5777	5390	5029	4668	4307
	-15.0	5829	5467	5132	4797	4462	4126	3791
	-17.8	5184	4849	4539	4204	3895	3611	3301
	-20.6	4591	4281	3971	3663	3378	3095	2812
-23.3	4023	3740	3430	3147	2889	2630	2365	

--- Outside Operating Range † Max 40°F RGT

CONDENSING UNIT MODEL	SATURATED SUCTION TEMPERATURE °C	AMBIENT TEMPERATURE °C						
		26.6	29.4	32.2	35	37.8	40.6	43.3
KMHD040M6 Compressor Model MTZ50	1.7	13360	12690	12019	11348	10652	9955	9259
	-1.1	12250	11632	11013	10394	9775	9130	8485
	-3.9	11168	10600	10033	9465	8898	8305	7737
	-6.7	10136	9620	9104	8589	8047	7531	6990
	-9.4	9156	8692	8202	7711	7248	6758	6293
	-12.2	8227	7789	7351	6912	6473	6035	5597
	-15.0	7351	6938	6525	6138	5725	5313	4926
	-17.8	6551	6164	5777	5390	5029	4642	4281
	-20.6	5803	5442	5081	4719	4359	4023	3688
	-23.3	5132	4771	4411	4075	3740	3430	3120
KMHD050M6 Compressor Model MTZ56	1.7	14289	13592	12870	12122	11400	10652	9930
	-1.1	13180	12509	11839	11194	10523	9826	9156
	-3.9	12070	11477	10858	10239	9620	9002	8382
	-6.7	11013	10446	9904	9337	8769	8202	7634
	-9.4	9981	9465	8950	8434	7918	7402	6886
	-12.2	9002	8511	8047	7583	7093	6628	6164
	-15.0	8073	7634	7170	6731	6319	5880	5442
	-17.8	7196	6758	6345	5958	5545	5159	4746
	-20.6	6370	5958	5571	5184	4823	4436	4075
	-23.3	5597	5210	4849	4488	4126	3766	3430

--- Outside Operating Range † Max 40°F RGT

MANEUROP

CONDENSING UNIT MODEL	SATURATED SUCTION TEMPERATURE °C	AMBIENT TEMPERATURE °F (°C)						
		26.6	29.4	32.2	35	37.8	40.6	43.3
KMHD015L6 Compressor Model LTZ22	-20.6	2563	2399	2236	2073	1921	1767	1620
	-23.3	2272	2123	1976	1834	1695	1560	1432
	-26.1	1996	1862	1734	1604	1483	1364	1250
	-28.9	1741	1620	1504	1393	1282	1178	1083
	-31.7	1504	1398	1294	1192	1096	1006	923
	-34.4	1292	1192	1099	1008	923	848	776
	-37.2	1096	1008	923	846	768	699	640
	-40.0	926	846	768	693	624	565	513
KMHD025L6 Compressor Model LTZ28	-20.6	3714	3508	3301	3069	2863	2657	2450
	-23.3	3327	3120	2940	2734	2543	2352	2167
	-26.1	2940	2760	2579	2406	2233	2066	1898
	-28.9	2579	2419	2262	2105	1950	1798	1651
	-31.7	2255	2109	1965	1823	1682	1545	1416
	-34.4	1958	1826	1695	1566	1436	1313	1197
	-37.2	1692	1568	1444	1325	1210	1096	990
	-40.0	1449	1333	1220	1109	998	895	797
KMHD040L6 Compressor Model LTZ50	-20.6	7892	7479	7041	6603	6164	5725	5313
	-23.3	7015	6655	6267	5880	5467	5081	4694
	-26.1	6215	5880	5519	5184	4823	4488	4153
	-28.9	5467	5159	4849	4539	4230	3920	3611
	-31.7	4771	4514	4230	3946	3688	3405	3147
	-34.4	4153	3920	3663	3405	3172	2915	2682
	-37.2	3611	3378	3147	2915	2682	2474	2252
	-40.0	3095	2889	2682	2466	2259	2053	1852

--- Outside Operating Range † Max 40°F RGT

CONDENSING UNIT MODEL	COMPRESSOR MODEL NO.	POWER SUPPLY	COMPRESSOR		CONDENSER FAN MOTOR		UNIT	
			RLA	LRA	QTY	FLA	MCA	MOP
KMHA005H2*-S7A	ARE59C3-CAZ	200/1/50	3.6	25.9	1	0.5	5.0	15
KMHA008H2*-S7A	RS47C2-IAZ	200/1/50	6.4	35.5	1	0.5	8.5	15
KMHA011H2*-S7A	RS70C1-PFV	200/1/50	6.3	34.2	1	0.5	8.4	15
	-T7A	RS70C1TFC	200-220/3/50	4.2	31.0	1	0.5	5.8
KMHA015H2*-S7A	CR18KQ-PFV	200/1/50	8.1	41.0	1	0.5	10.6	15
	-T7A	CR18KQ-TF5	200-220/3/50	5.4	49.0	1	0.5	7.3
KMHA020H2*-S7A	CR24KQ-PFV	200/1/50	12.2	70.5	1	1.1	16.3	25
	-T7A	CR24KQ-TF5	200-220/3/50	6.7	51.0	1	1.1	9.5
KMHA025H2*-S7A	CR32KQ-PFV	200/1/50	15.3	83.0	1	1.1	20.2	35
	-T7A	CR32KQ-TF5	200-220/3/50	8.8	63.0	1	1.1	12.2
KMHA031H2*-S7A	CR37KQ-PFV	200/1/50	16.7	100.0	1	1.1	21.9	35
	-T7A	CR37KQ-TF5	200-220/3/50	9.9	85.0	1	1.1	13.5
KMHA035H2*-S7A	CR41KQ-PFV	200/1/50	17.4	109.6	1	1.1	22.8	40
	-T7A	CR41KQ-TF5	200-220/3/50	11.8	80.0	1	1.1	15.8
KMHA040H2*-S7A	CR53KQ-PFV	200/1/50	26.0	140.0	1	2.1	34.6	60
	-T7A	CR53KQ-TF5	200-220/3/50	16.3	107.0	1	2.1	22.5
KMHA050H2*-S7A	CRN5-0500-PFV	200/1/50	30.8	142.0	1	2.1	40.6	70
	-T7A	CRN5-0500-TF5	200-220/3/50	19.2	130.0	1	2.1	26.1
KMHA006E6*-S7A	RS43C2E-IAZ	200/1/50	4.8	24.1	1	0.5	6.5	15
KMHA008E6*-S7A	RS55C2E-CAZ	200/1/50	5.4	40.0	1	0.5	7.3	15
KMHA009E6*-S7A	RS64C2E-IAZ	200/1/50	6.9	37.0	1	0.5	9.2	15
KMHA010E6*-T7A	RS70C1E-TFC	200-220/3/50	4.2	31.0	1	0.5	5.8	15
KMHA016E6*-S7A	CS10K6E-PFV	200/1/50	9.8	56.0	1	0.5	12.8	20
	-T7A	CS10K6E-TF5	200-220/3/50	6.7	51.0	1	0.5	8.9
KMHA021E6*-S7A	CS12K6E-PFV	200/1/50	9.8	56.0	1	1.1	13.4	20
	-T7A	CS12K6E-TF5	200-220/3/50	6.7	51.0	1	1.1	9.5
KMHA025E6*-S7A	CS14K6E-PFV	200/1/50	11.2	61.0	1	1.1	15.1	25
	-T7A	CS14K6E-TF5	200-220/3/50	8.2	55.0	1	1.1	11.4
KMHA031E6*-S7A	CS18K6E-PFV	200/1/50	14.4	82.0	1	1.1	19.0	30
	-T7A	CS18K6E-TF5	200-220/3/50	7.9	65.5	1	1.1	11.0
KMHA035E6*-S7A	CS20K6E-PFZ	200/1/50	16.7	96.0	1	1.1	21.9	35
	-T7A	CS20K6E-TF5	200-220/3/50	10.2	75.0	1	1.1	13.9
KMHA040E6*-S7A	CS27K6E-PFZ	200/1/50	21.5	121	1	2.1	29.0	50
	-T7A	CS27K3E-TF5	200-220/3/50	12.1	105.0	1	2.1	17.2
KMHA050E6*-S7A	CS33K3E-PFV	200/1/50	27.6	125.0	1	2.1	36.6	60
	-T7A	CS33K3E-TF5	200-220/3/50	16.8	102.0	1	2.1	23.1
KMHA006L6*-S7A	AFT22C1E-IAZ	200/1/50	3.3	32.5	1	0.5	4.7	15
KMHA008L6*-S7A	AFT26C1E-CFZ	200/1/50	7.9	72.0	1	1.1	11.0	15
KMHA010L6*-S7A	CF04K6E-PFV	200/1/50	4.1	32.2	1	0.5	5.7	15
	-T7A	CF04K6E-TF5	200-220/3/50	6.1	52.0	1	0.5	8.1
KMHA020L6*-S7A	CF06K6E-PFV	200/1/50	10.3	59.2	1	0.5	13.3	20
	-T7A	CF06K6E-TF5	200-220/3/50	6.3	52.0	1	0.5	8.4
KMHA025L6*-S7A	CF09K6E-PFV	200/1/50	15.0	87.0	1	1.1	19.9	30
	-T7A	CF09K6E-TF5	200-220/3/50	9.2	72.2	1	1.1	12.6
KMHA031L6*-S7A	CF12K6E-PFV	200/1/50	18.4	105.0	1	1.1	24.1	40
	-T7A	CF12K6E-TF5	200-220/3/50	11.0	85.0	1	1.1	14.9

* I = Indoor, H = Outdoor. Above listed RLA value is based on UL rating method and may differ from published compressor RLA data.

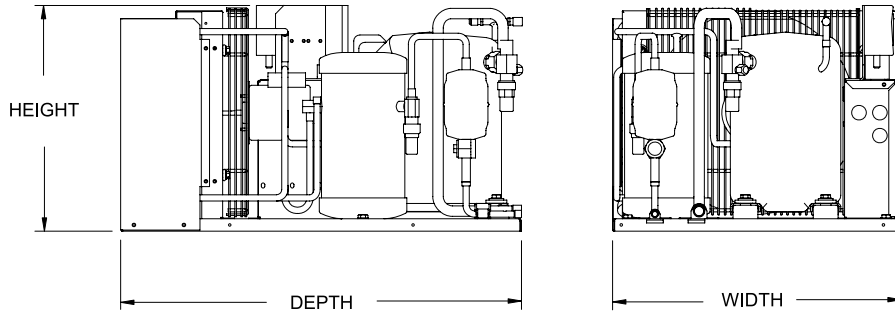
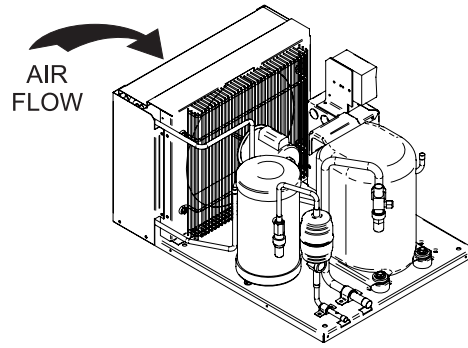
CONDENSING UNIT MODEL	COMPRESSOR MODEL NO.	POWER SUPPLY	COMPRESSOR		CONDENSER FAN MOTOR		UNIT	
			RLA	LRA	QTY	FLA	MCA	MOP
KMHS011H2- * -S6A	H29B17UABH	220/1/50	7.7	48.0	1	0.5	10.1	15
KMHS015H2- * -S6A	H29B18UABH	220/1/50	9.0	48.0	1	0.5	11.7	20
KMHS020H2- * -S6A -T7A	H29B24UABH	220/1/50	12.2	61.0	1	1.1	16.3	25
	H29B24UDBL	200-220/3/50	8.3	58.0	1	1.1	11.5	20
KMHS031H2- * -S6A -T7A	H29B35UABK	220/1/50	16.7	86.0	1	1.1	21.9	35
	H29B35UDBL	200-220/3/50	10.3	78.0	1	1.1	13.9	20
KMHS035H2- * -T7A	H23A423DBL	200-220/3/50	12.8	78.0	1	1.1	17.1	30
KMHS040H2- * -T7A	H23A543DBL	200-220/3/50	17.3	106.0	1	2.1	23.7	40
KMHS050H2- * -T7A	H23A623DBL	200-220/3/50	20.5	124.0	1	2.1	27.7	45

* I = Indoor, H = Outdoor. Above listed RLA value is based on UL rating method and may differ from published compressor RLA data.

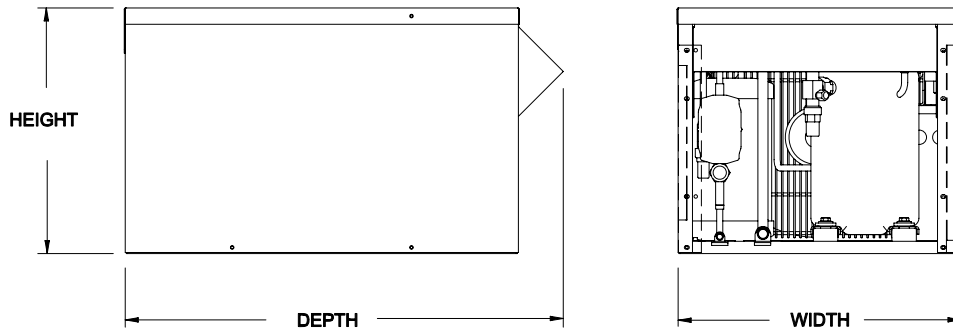
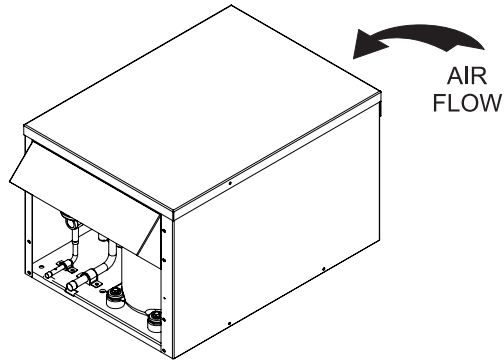
CONDENSING UNIT MODEL	COMPRESSOR MODEL NO.	POWER SUPPLY	COMPRESSOR		CONDENSER FAN MOTOR		UNIT		
			RLA	LRA	QTY	FLA	MCA	MOP	
KMHD016M6-*	-S6A	MTZ18-5VM	220/1/50	8.3	51.0	1	0.5	10.9	15
	-T7A	MTZ18-6VM	200-220/3/50	5.8	38.0	1	0.5	7.7	15
KMHD021M6-*	-S6A	MTZ22-5VM	220/1/50	10.9	49.3	1	1.1	14.7	25
	-T7A	MTZ22-6VM	200-220/3/50	7.1	38.0	1	1.1	9.9	15
KMHD025M6-*	-S6A	MTZ28-5VM	220/1/50	16.0	81.0	1	1.1	21.1	35
	-T7A	MTZ28-6VM	200-220/3/50	10.3	57.0	1	1.1	13.9	20
KMHD031M6-*	-S6A	MTZ36-5VM	220/1/50	19.2	84.0	1	1.1	25.1	40
	-T7A	MTZ36-6VM	200-220/3/50	10.9	74.0	1	1.1	14.7	25
KMHD036M6-*	-T7A	MTZ44-6VM	200-220/3/50	14.1	115.0	1	1.1	18.7	30
KMHD040M6-*	-S6A	MTZ50-5VM	220/1/50	23.1	114.0	1	2.1	30.9	50
	-T7A	MTZ50-6VM	200-220/3/50	16.0	115.0	1	2.1	22.1	35
KMHD050M6-*	-T7A	MTZ56-6VM	200-220/3/50	16.7	130.0	1	2.1	22.9	35
KMHD015L6-*	-S6A	LTZ22-5VM	220/1/50	7.1	38.0	1	0.5	9.3	15
KMHD025L6-*	-T7A	LTZ28-5VM	200-220/3/50	10.3	57.0	1	1.1	13.9	20
KMHD040L6-*	-T7A	LTZ50-6VM	200-220/3/50	14.7	115.0	1	2.1	20.5	35

* I = Indoor, H = Outdoor. Above listed RLA value is based on UL rating method and may differ from published compressor RLA data.

DIMENSIONAL DATA



INDOOR DIMENSIONS



OUTDOOR DIMENSIONS

DIMENSIONAL DATA

CONDENSING UNIT MODEL	INDOOR MODELS								OUTDOOR MODELS					
	LENGTH		DEPTH		HEIGHT				LENGTH		DEPTH		HEIGHT	
	Inches	mm	Inches	mm	COPELAND/ MANEUROP		BRISTOL		Inches	mm	Inches	mm	Inches	mm
					Inches	mm	Inches	mm						
KMH * 005H2	17 5/8	448	24 1/4	614	13 3/8	338	N/A	N/A	18	452	27	686	16 1/8	408
KMH * 008H2	17 5/8	448	24 1/4	614	13 3/8	338	N/A	N/A	18	452	27	686	16 1/8	408
KMH * 011H2	17 5/8	448	24 1/4	614	13 3/8	338	14 1/4	362	18	452	27	686	16 1/8	408
KMH * 015H2	19 5/8	498	24 1/4	614	15 7/8	403	15 7/8	403	19 7/8	503	27	686	16 1/8	408
KMH * 020H2	32 7/8	835	24 1/4	614	19 3/8	492	19 3/8	492	33	838	29 1/4	743	19 5/8	498
KMH * 025H2	32 7/8	835	24 1/4	614	19 3/8	492	19 3/8	492	33	838	29 1/4	743	19 5/8	498
KMH * 031H2	32 7/8	835	24 1/4	614	19 3/8	492	19 3/8	492	33	838	29 1/4	743	19 5/8	498
KMH * 035H2	32 7/8	835	24 1/4	614	19 3/8	492	29	737	33	838	29 1/4	743	19 5/8	498
KMH * 040H2	43 1/8	1096	30	764	29	737	29	737	43 1/2	1105	38 5/8	981	29 1/2	749
KMH * 050H2	43 1/8	1096	30	764	29	737	29	737	43 1/2	1105	38 5/8	981	29 1/2	749
KMH A 006E6	17 5/8	448	24 1/4	614	13 3/8	338	N/A	N/A	17 7/8	452	27	686	16 1/8	408
KMH A 008E6	17 5/8	448	24 1/4	614	13 3/8	338	N/A	N/A	17 7/8	452	27	686	16 1/8	408
KMH A 009E6	17 5/8	448	24 1/4	614	13 3/8	338	N/A	N/A	17 7/8	452	27	686	16 1/8	408
KMH A 010E6	17 5/8	448	24 1/4	614	13 3/8	338	N/A	N/A	17 7/8	452	27	686	16 1/8	408
KMH * 016^6	19 5/8	498	24 1/4	614	15 7/8	403	N/A	N/A	19 7/8	503	27	686	16 1/8	408
KMH * 021^6	32 7/8	835	24 1/4	614	19 3/8	492	N/A	N/A	33	838	29 1/4	743	19 5/8	498
KMH * 025^6	32 7/8	835	24 1/4	614	19 3/8	492	N/A	N/A	33	838	29 1/4	743	19 5/8	498
KMH * 031^6	32 7/8	835	24 1/4	614	19 3/8	492	N/A	N/A	33	838	29 1/4	743	19 5/8	498
KMH A 035^6	32 7/8	835	24 1/4	614	19 3/8	492	N/A	N/A	33	838	29 1/4	743	19 5/8	498
KMH D 036^6	32 7/8	835	24 1/4	614	19 3/8	492	N/A	N/A	33	838	29 1/4	743	19 5/8	498
KMH * 040^6	43 1/8	1096	30	764	29	737	N/A	N/A	43 1/2	1105	38 5/8	981	29 1/2	749
KMH * 050^6	43 1/8	1096	30	764	29	737	N/A	N/A	43 1/2	1105	38 5/8	981	29 1/2	749
KMH A 006L6	17 5/8	448	24 1/4	614	13 3/8	338	N/A	N/A	17 7/8	452	27	686	16 1/8	408
KMH A 008L6	17 5/8	448	24 1/4	614	13 3/8	338	N/A	N/A	17 7/8	452	27	686	16 1/8	408
KMH A 010L6	17 5/8	448	24 1/4	614	14 1/2	368	N/A	N/A	17 7/8	452	27	686	16 1/8	408
KMH D 015L6	19 5/8	498	24 1/4	614	15 7/8	403	N/A	N/A	19 7/8	503	27	686	16 1/8	408
KMH A 020L6	19 5/8	498	24 1/4	614	15 7/8	403	N/A	N/A	19 7/8	503	27	686	16 1/8	408
KMH * 025L6	32 7/8	835	24 1/4	614	19 3/8	492	N/A	N/A	33	838	29 1/4	743	19 5/8	498
KMH * 031L6	32 7/8	835	24 1/4	614	19 3/8	492	N/A	N/A	33	838	29 1/4	743	19 5/8	498
KMH D 040L6	43 1/8	1096	30	764	29	737	N/A	N/A	43 1/2	1105	38 5/8	981	29 1/2	749

* May be A, D or S depending on compressor availability

^ May be E or M.

SPECIFICATIONS

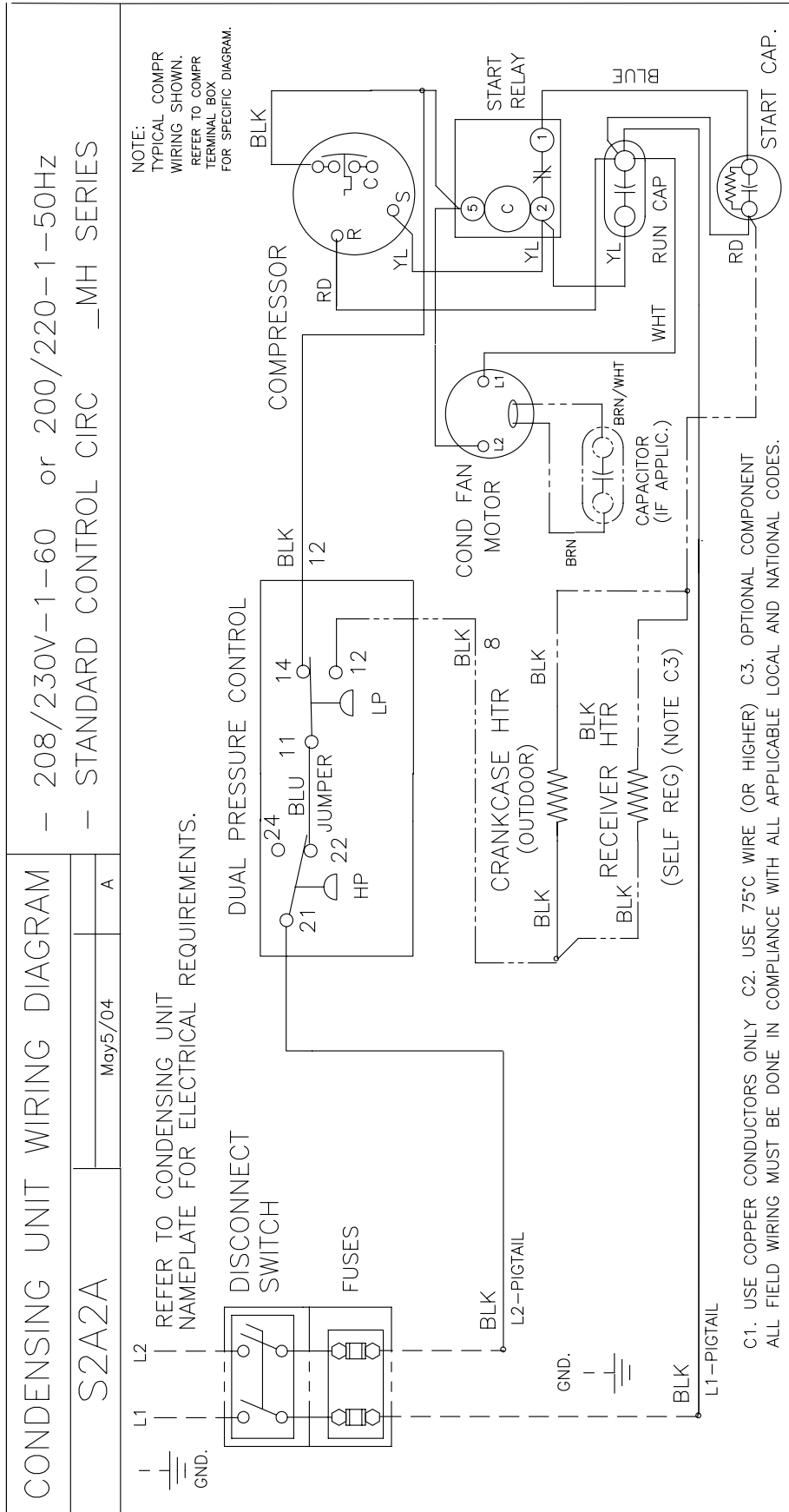
CONDENSING UNIT MODEL	COMPRESSOR BRAND/MODEL*			UNIT CONNECTIONS				RECEIVER CAPACITY 90% FULL		APPROX. SHIPPING WEIGHT			
				SUCTION (OD)		LIQUID (OD)				OUTDOOR		INDOOR	
	Copeland	Maneurop	Bristol	Inches	mm	Inches	mm	Lbs.	Kgs	Lbs.	Kgs	Lbs.	Kgs
KMH * 005H2	ARE59C3	N/A	N/A	1/2	13	3/8	10	3	1.36	75	34.0	63	28.6
KMH * 008H2	RS47C2	N/A	N/A	5/8	16	3/8	10	3	1.36	97	44.0	85	38.6
KMH * 011H2	RS70C1	N/A	H29B17U	5/8	16	3/8	10	6	2.72	120	54.4	108	49.0
KMH * 015H2	CR18KQ	N/A	H29B18U	5/8	16	3/8	10	6	2.72	137	62.1	122	55.3
KMH * 020H2	CR24KQ	N/A	H29B24U	5/8	16	3/8	10	12.5	5.67	199	90.3	179	81.2
KMH * 025H2	CR32KQ	N/A	N/A	7/8	22	3/8	10	16	7.26	210	95.3	190	86.2
KMH * 031H2	CR37KQ	N/A	H29B35U	7/8	22	1/2	13	16	7.26	210	95.3	190	86.2
KMH * 035H2	CR41KQ	N/A	H23A423	7/8	22	1/2	13	16	7.26	214	97.1	194	88.0
KMH * 040H2	CR53KQ	N/A	H23A453	1 1/8	29	1/2	13	24	10.89	285	129.3	260	117.9
KMH * 050H2	CRN5-0500	N/A	H23A623	1 1/8	29	1/2	13	24	10.89	319	144.7	294	133.4
KMH A 006E6	RS43C2E	N/A	N/A	5/8	16	3/8	10	2.7	1.22	95	43.1	83	37.6
KMH A 008E6	RS55C2E	N/A	N/A	5/8	16	3/8	10	2.7	1.22	95	43.1	83	37.6
KMH A 009E6	RS64C2E	N/A	N/A	5/8	16	3/8	10	5.4	2.45	95	43.1	83	37.6
KMH A 010E6	RS70C1E	N/A	N/A	5/8	16	3/8	10	5.4	2.45	95	43.1	83	37.6
KMH * 016^6	CS10K6E	MTZ18	N/A	5/8	16	3/8	10	5.4	2.45	146	66.2	131	59.4
KMH * 021^6	CS12K6E	MTZ22	N/A	7/8	22	3/8	10	11.3	5.13	208	94.3	188	85.3
KMH * 025^6	CS14K6E	MTZ28	N/A	7/8	22	1/2	13	14.4	6.53	212	96.2	192	87.1
KMH * 031^6	CS18K6E	MTZ36	N/A	7/8	22	1/2	13	14.4	6.53	215	97.5	195	88.5
KMH A 035^6	CS20K6E	N/A	N/A	7/8	22	1/2	13	14.4	6.53	216	98.0	196	88.9
KMH D 036^6	N/A	MTZ44	N/A	7/8	22	1/2	13	14.4	6.53	221	100.2	201	91.2
KMH * 040^6	CS27K6E	MTZ50	N/A	1 1/8	29	1/2	13	21.5	9.75	282	127.9	257	116.6
KMH * 050^6	CS33K3E	MTZ56	N/A	1 1/8	29	1/2	13	21.5	9.75	287	130.2	262	118.8
KMH A 006L6	AFT22C1E	N/A	N/A	1/2	13	3/8	10	2.7	1.22	86	39.0	74	33.6
KMH A 008L6	AFT26C1E	N/A	N/A	1/2	13	3/8	10	2.7	1.22	88	39.9	76	34.5
KMH A 010L6	CF04K6E	N/A	N/A	5/8	16	3/8	10	5.4	2.45	120	54.4	108	49.0
KMH D 015L6	N/A	LTZ22	N/A	7/8	22	3/8	10	5.4	2.45	119	54.0	104	47.2
KMH A 020L6	CF06K6E	N/A	N/A	7/8	22	3/8	10	5.4	2.45	123	55.8	108	49.0
KMH * 025L6	CF09K6E	LTZ28	N/A	7/8	22	3/8	10	11.3	5.13	224	101.6	204	92.5
KMH * 031L6	CF12K6E	N/A	N/A	7/8	22	1/2	13	14.4	6.53	224	101.6	204	92.5
KMH D 040L6	N/A	LTZ50	N/A	1 1/8	29	1/2	13	21.5	9.75	285	129.3	260	117.9

* May be A, D or S depending on compressor availability

^ May be E or M.

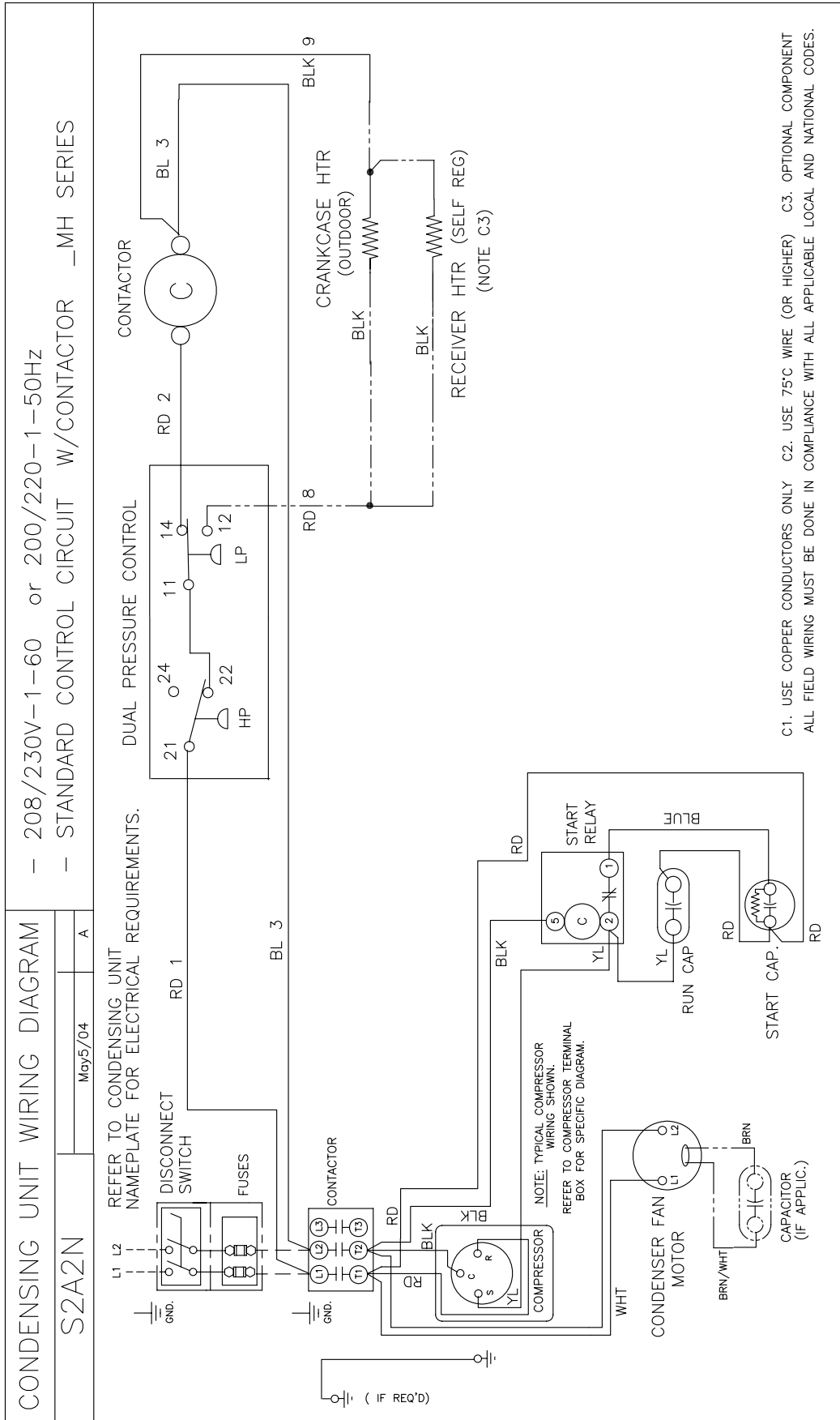
TYPICAL SYSTEM WIRING DIAGRAM

SINGLE PHASE LESS CONTACTOR (200-220/1/50)



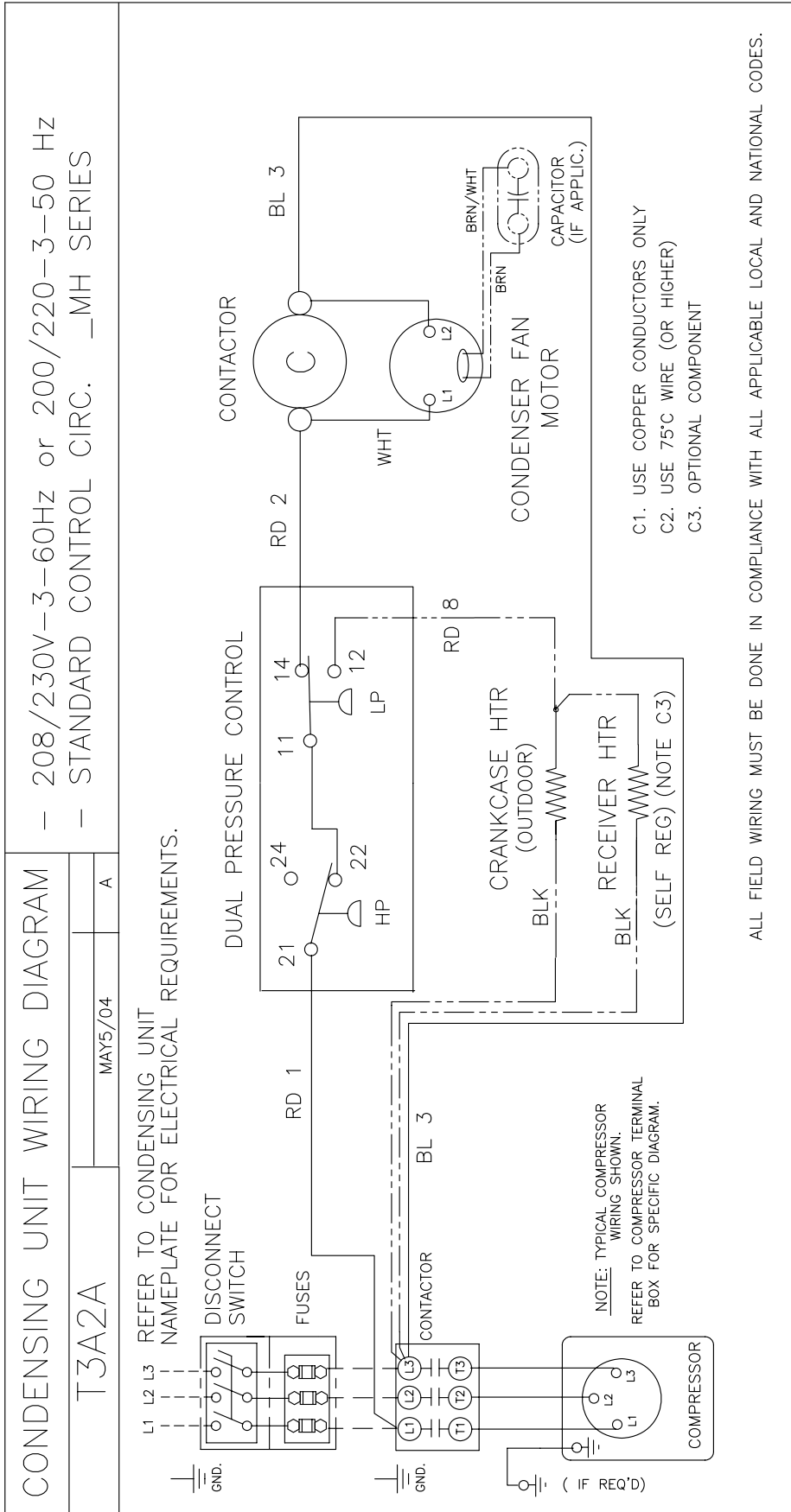
TYPICAL SYSTEM WIRING DIAGRAM

SINGLE PHASE WITH CONTACTOR (200-220/1/50)





TYPICAL SYSTEM WIRING DIAGRAM

THREE-PHASE WITH CONTACTOR (200-220/3/50)



System	
Model Number	Date of Start-Up
Serial Number	Service Contractor
Refrigerant	Phone
Electrical Supply	Fax

	<p>NATIONAL REFRIGERATION & AIR CONDITIONING CANADA CORP.</p>	
<p>CANADA 159 ROY BLVD., BRANTFORD, ONTARIO, CANADA N3R 7K1 PHONE: 1-800-463-9517 (519)751-0444 FAX (519)753-1140</p>	<p>USA 985 WHEELER WAY, LANGHORNE, PA. 19047 USA PHONE: 1-888-KEEPUS1 OR 1-888-533-7871</p>	

Due to National Refrigeration's policy of continuous product improvement, we reserve the right to make changes without notice.