



KZ-Line Condensing Units

PRODUCT DATA & SPECIFICATIONS

Bulletin K40-KZ-PDS-11

1064606

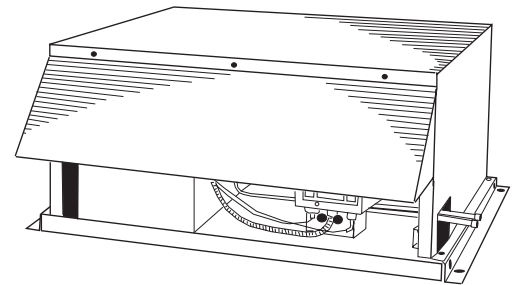
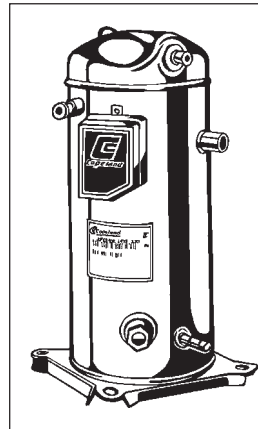
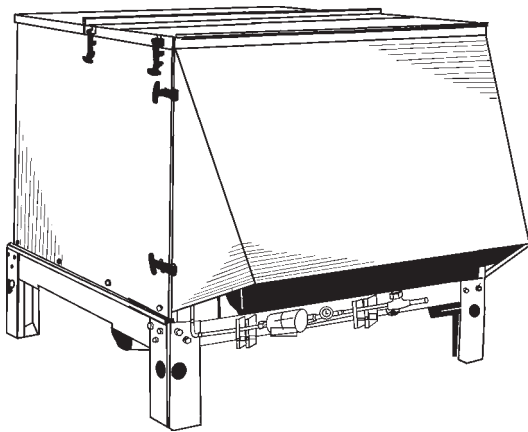
We are on the Internet



www.keepriterefrigeration.com

Indoor & Outdoor Air Cooled
Scroll Condensing Units

2-15 HP



CONTENTS

| | Page | | Page |
|------------------------------|------------|--------------------------------|------------|
| Features..... | 2 | Dimensional Data..... | 7, 8 |
| Indoor Unit..... | 2 | Specifications..... | 9 |
| Outdoor Unit..... | 2 | Electrical Specifications..... | 10, 11, 12 |
| Optional Features..... | 2 | R22 High Temp..... | 10 |
| Nomenclature..... | 2 | R404A, R507 Ext. Med. Temp.. | 11 |
| Capacity Data..... | 3, 4, 5, 6 | R404A, R507 Low Temp..... | 12 |
| R22 High Temperature..... | 3 | | |
| R404A, R507 Ext. Medium..... | 4, 5 | | |
| R404A, R507 Low Temp..... | 6 | | |

STANDARD FEATURES

Indoor Unit

Standard Features Include:

- Weatherproof electrical control box with compressor contactor and fused control circuit
- Welded hermetic scroll compressor
- Copper tubing secured with Hydra-Zorb / Cush-A-Clamp
- Receiver with fusible plug and liquid shut off valve
- Adjustable dual high / low pressure control
- Suction and discharge service valves
- Oil level sight glass on compressor
- Discharge temperature safety thermostat
- Liquid injection (low temp. models).

OPTIONAL FEATURES (FACTORY MOUNTED)

- Suction accumulator
- Sealed or replaceable core suction filter
- Oil separator c/w oil return filter and solenoid valve
- Over-sized receiver
- Heated and insulated receiver
- Receiver inlet valve
- Sealed or replaceable core liquid line filter drier and sight glass
- Liquid line solenoid valve with 230 volt coil (shipped loose)
- Ball valve (shipped loose)
- Two valve adjustable flooded head pressure control
- Flex hose on all controls
- Compressor circuit breaker
- Compressor time delay relay
- Pump down toggle switch
- Time clock
- Defrost contactor with fuse block
- Evaporator fan contactor with fuse block
- Adjustable ambient fan cycling thermostat or pressure fan cycling control on 2 or more fan models
- Fused disconnect
- Phase / voltage monitor

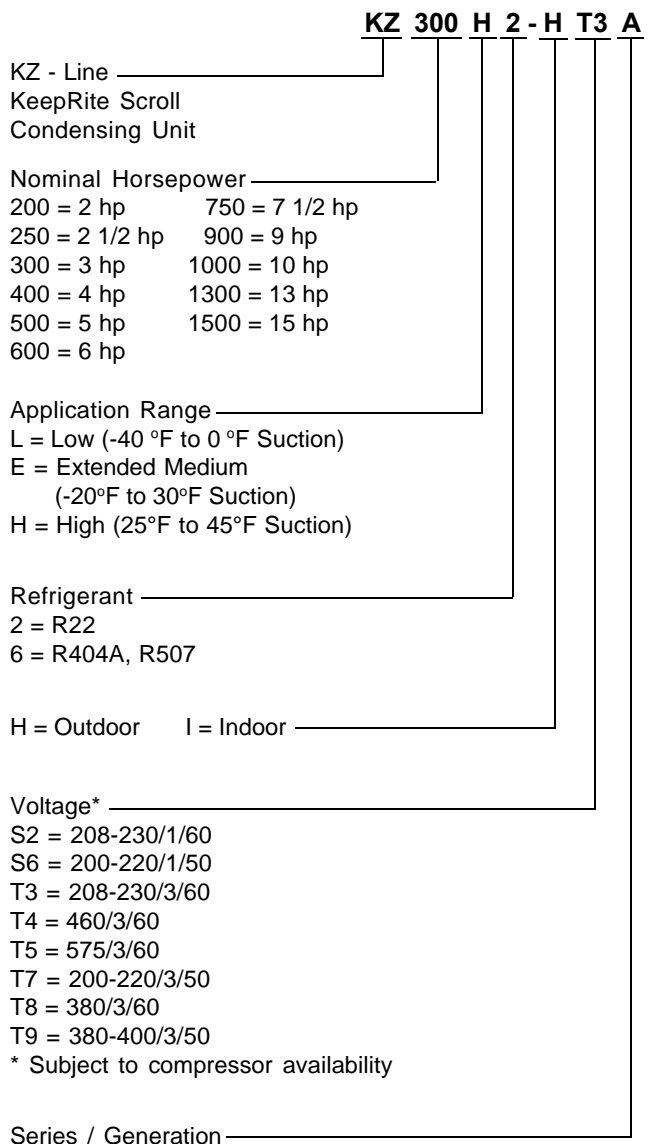
**OTHER OPTIONS AVAILABLE AT YOUR REQUEST -
CONSULT FACTORY**

Outdoor Unit

All Standard Features of Indoor Unit Plus:

- Outdoor weather-resistant housing with removable hood
- Sealed liquid line filter drier and sight glass
- Flooded head pressure control (non adjustable)
- Fixed ambient fan cycling thermostat on 2 fan models only
- Crankcase heater
- Pump down toggle switch

NOMENCLATURE



60Hz PERFORMANCE CAPACITY

Application Data Calculated at 65 °F. Return Gas, 0 °F. Liquid Subcooling

R22 - HIGH TEMPERATURE - CAPACITY (BTU/HR)

Unit Shipped with mineral oil

| COND. UNIT MODEL | SAT. SUCTION TEMP. °F | 80°F Amb. | 90°F Amb. | 95°F Amb. | 100°F Amb. | 105°F Amb. |
|--|-----------------------|-----------|-----------|-----------|------------|------------|
| KZ200H2 Compressor Model ZB15KA | 45°F | 26260 | 24870 | 24180 | 23480 | 22780 |
| | 40°F | 24110 | 22820 | 22180 | 21540 | 20890 |
| | 35°F | 21980 | 20770 | 20170 | 19570 | 18970 |
| | 30°F | 20100 | 19080 | 18570 | 18060 | 17560 |
| | 25°F | 18160 | 17230 | 16770 | 16300 | 15840 |
| KZ250H2 Compressor Model ZB19KA | 45°F | 32800 | 31050 | 30170 | 29300 | 28430 |
| | 40°F | 30030 | 28410 | 27600 | 26790 | 25980 |
| | 35°F | 27410 | 25910 | 25170 | 24420 | 23670 |
| | 30°F | 24970 | 23660 | 23010 | 22360 | 21700 |
| | 25°F | 22600 | 21430 | 20850 | 20260 | 19670 |
| KZ300H2 Compressor Model ZB21KA | 45°F | 36000 | 34090 | 33130 | 32170 | 31210 |
| | 40°F | 33040 | 31280 | 30390 | 29510 | 28630 |
| | 35°F | 30230 | 28620 | 27810 | 27000 | 26200 |
| | 30°F | 26150 | 26490 | 26660 | 26830 | 27000 |
| | 25°F | 25080 | 23760 | 23100 | 22440 | 21790 |
| KZ350H2 Compressor Model ZB26KA | 45°F | 44460 | 42110 | 40930 | 39750 | 38580 |
| | 40°F | 40800 | 38600 | 37500 | 36400 | 35300 |
| | 35°F | 37270 | 35220 | 34190 | 33170 | 32140 |
| | 30°F | 34060 | 32260 | 31370 | 30470 | 29580 |
| | 25°F | 30820 | 29160 | 28330 | 27510 | 26680 |
| KZ400H2 Compressor Model ZB30KA | 45°F | 53430 | 50530 | 49090 | 47640 | 46190 |
| | 40°F | 48910 | 46220 | 44870 | 43520 | 42180 |
| | 35°F | 44610 | 42090 | 40830 | 39580 | 38320 |
| | 30°F | 40760 | 38610 | 37540 | 36470 | 35390 |
| | 25°F | 36920 | 34920 | 33920 | 32920 | 31920 |
| KZ500H2 Compressor Model ZB38KA | 45°F | 65890 | 62460 | 60740 | 59030 | 57310 |
| | 40°F | 60420 | 57230 | 55640 | 54040 | 52450 |
| | 35°F | 55180 | 52220 | 50730 | 49250 | 47760 |
| | 30°F | 50450 | 47950 | 46700 | 45450 | 44200 |
| | 25°F | 45700 | 43400 | 42250 | 41100 | 39950 |
| KZ600H2 Compressor Model ZB45KA | 45°F | 75730 | 71870 | 69940 | 68010 | 66080 |
| | 40°F | 69660 | 66080 | 64290 | 62500 | 60710 |
| | 35°F | 63860 | 60540 | 58870 | 57210 | 55550 |
| | 30°F | 58580 | 55690 | 54250 | 52800 | 51350 |
| | 25°F | 53300 | 50650 | 49320 | 47990 | 46660 |
| KZ750H2 Compressor Model ZB56KA | 45°F | 95360 | 90370 | 87870 | 85380 | 82880 |
| | 40°F | 87370 | 82870 | 80610 | 78360 | 76110 |
| | 35°F | 79870 | 75820 | 73800 | 71780 | 69750 |
| | 30°F | 72800 | 69140 | 67310 | 65480 | 63650 |
| | 25°F | 66210 | 62950 | 61310 | 59680 | 58040 |
| KZ900H2 Compressor Model ZB68KA | 45°F | 117180 | 111020 | 107930 | 104850 | 101770 |
| | 40°F | 107390 | 101770 | 98960 | 96160 | 93350 |
| | 35°F | 98060 | 92950 | 90390 | 87840 | 85280 |
| | 30°F | 89470 | 85060 | 82860 | 80660 | 78460 |
| | 25°F | 81070 | 77090 | 75090 | 73100 | 71110 |
| KZ1000H2 Compressor Model ZB75KA | 45°F | 133560 | 126450 | 122890 | 119340 | 115780 |
| | 40°F | 122570 | 116080 | 112830 | 109590 | 106340 |
| | 35°F | 112070 | 106150 | 103190 | 100230 | 97270 |
| | 30°F | 102440 | 97340 | 94790 | 92240 | 89690 |
| | 25°F | 92920 | 88290 | 85980 | 83660 | 81350 |
| KZ1300H2 Compressor Model ZB92KA | 45°F | 165000 | 156490 | 152230 | 147970 | 143710 |
| | 40°F | 151120 | 143410 | 139560 | 135700 | 131850 |
| | 35°F | 137950 | 130950 | 127450 | 123950 | 120450 |
| | 30°F | 126090 | 120280 | 117370 | 114460 | 111550 |
| | 25°F | 114340 | 109150 | 106560 | 103960 | 101370 |
| KZ1500H2 Compressor Model ZB11MA | 45°F | 190850 | 181410 | 176690 | 171980 | 167260 |
| | 40°F | 175910 | 167120 | 162720 | 158320 | 153920 |
| | 35°F | 161750 | 153550 | 149450 | 145340 | 141240 |
| | 30°F | 149010 | 141910 | 138370 | 134820 | 131270 |
| | 25°F | 136150 | 129590 | 126310 | 123020 | 119740 |

60Hz PERFORMANCE CAPACITY

Application Data Calculated at 65 °F. Return Gas, 0 °F. Liquid Subcooling

R404A, R507 - EXT. MED TEMPERATURE - CAPACITY (BTU/HR) - NO INJECTION

Unit Shipped with polyolester oil

| COND. UNIT MODEL | SAT. SUCTION TEMP. °F | 80°F Amb. | 90°F Amb. | 95°F Amb. | 100°F Amb. | 105°F Amb. |
|--|-----------------------|-----------|-----------|-----------|------------|------------|
| KZ200E6 Compressor Model ZS15K4E | 30°F | 21560 | 19900 | 19070 | 18250 | 17420 |
| | 25°F | 19820 | 18290 | 17530 | 16760 | 16000 |
| | 20°F | 18300 | 16950 | 16280 | 15600 | 14930 |
| | 10°F | 15300 | 14160 | 13600 | 13030 | 12460 |
| | 0°F | 12670 | 11730 | 11260 | 10790 | 10320 |
| | -10°F | 10300 | 9560 | 9180 | 8810 | 8440 |
| | -20°F | 8340 | 7730 | 7340 | 7120 | 6820 |
| KZ250E6 Compressor Model ZS19K4E | 30°F | 25070 | 23090 | 22100 | 21110 | 20120 |
| | 25°F | 23150 | 21310 | 20400 | 19480 | 18560 |
| | 20°F | 21470 | 19840 | 19030 | 18220 | 17400 |
| | 10°F | 18060 | 16710 | 16040 | 15360 | 14690 |
| | 0°F | 15110 | 13970 | 13400 | 12830 | 12260 |
| | -10°F | 12310 | 11440 | 11000 | 10560 | 10120 |
| | -20°F | 10010 | 9280 | 8910 | 8540 | 8180 |
| KZ300E6 Compressor Model ZS21K4E | 30°F | 27270 | 25120 | 24040 | 22960 | 21880 |
| | 25°F | 25220 | 23230 | 22240 | 21240 | 20250 |
| | 20°F | 23400 | 21610 | 20710 | 19820 | 18920 |
| | 10°F | 19780 | 18290 | 17540 | 16790 | 16050 |
| | 0°F | 15910 | 15360 | 15090 | 14810 | 14530 |
| | -10°F | 13550 | 12550 | 12050 | 11550 | 11050 |
| | -20°F | 11050 | 10220 | 9810 | 9400 | 8990 |
| KZ350E6 Compressor Model ZS26K4E | 30°F | 34540 | 31900 | 30580 | 29250 | 27930 |
| | 25°F | 31900 | 29440 | 28210 | 26990 | 25760 |
| | 20°F | 29560 | 27350 | 26250 | 25150 | 24040 |
| | 10°F | 24910 | 23040 | 22110 | 21180 | 20240 |
| | 0°F | 20800 | 19260 | 18490 | 17720 | 16950 |
| | -10°F | 16980 | 15760 | 15140 | 14530 | 13920 |
| | -20°F | 13810 | 12860 | 12380 | 11910 | 11430 |
| KZ400E6 Compressor Model ZS30K4E | 30°F | 40460 | 37640 | 36230 | 34820 | 33410 |
| | 25°F | 37450 | 34640 | 33240 | 31830 | 30430 |
| | 20°F | 34910 | 32360 | 31080 | 29800 | 28530 |
| | 10°F | 29350 | 26950 | 25750 | 24560 | 23360 |
| | 0°F | 24340 | 22280 | 21260 | 20230 | 19200 |
| | -10°F | 19600 | 18030 | 17240 | 16450 | 15670 |
| | -20°F | 15530 | 14690 | 14270 | 13850 | 13430 |
| KZ500E6 Compressor Model ZS38K4E | 30°F | 48360 | 44530 | 42620 | 40710 | 38790 |
| | 25°F | 44750 | 41170 | 39380 | 37590 | 35800 |
| | 20°F | 41590 | 38380 | 36780 | 35170 | 33570 |
| | 10°F | 35130 | 32400 | 31040 | 29670 | 28310 |
| | 0°F | 29380 | 27100 | 25950 | 24810 | 23670 |
| | -10°F | 24030 | 22170 | 21240 | 20310 | 19380 |
| | -20°F | 19580 | 18080 | 17330 | 16590 | 15840 |
| KZ600E6 Compressor Model ZS45K4E | 30°F | 58710 | 54090 | 51790 | 49480 | 47180 |
| | 25°F | 54230 | 50020 | 47910 | 45810 | 43710 |
| | 20°F | 50210 | 46450 | 44570 | 42690 | 40810 |
| | 10°F | 42370 | 39310 | 37770 | 36240 | 34710 |
| | 0°F | 35430 | 32940 | 31690 | 30450 | 29200 |
| | -10°F | 28980 | 26990 | 25990 | 24990 | 24000 |
| | -20°F | 23620 | 21940 | 21100 | 20260 | 19420 |

60Hz PERFORMANCE CAPACITY

Application Data Calculated at 65 °F. Return Gas, 0 °F. Liquid Subcooling

R404A, R507 - EXT. MED TEMPERATURE - CAPACITY (BTU/HR) - NO INJECTION

Unit Shipped with polyolester oil

| COND. UNIT MODEL | SAT. SUCTION TEMP. °F | 80°F Amb. | 90°F Amb. | 95°F Amb. | 100°F Amb. | 105°F Amb. |
|---|-----------------------|-----------|-----------|-----------|------------|------------|
| KZ750E6 Compressor Model ZS56K4E | 30°F | 70630 | 65040 | 62250 | 59460 | 56660 |
| | 25°F | 65180 | 60060 | 57500 | 54940 | 52380 |
| | 20°F | 60310 | 55730 | 53440 | 51160 | 48870 |
| | 10°F | 50800 | 47030 | 45150 | 43270 | 41390 |
| | 0°F | 42370 | 39320 | 37790 | 36260 | 34740 |
| | -10°F | 34520 | 32100 | 30880 | 29670 | 28460 |
| | -20°F | 27890 | 25930 | 24950 | 23970 | 22990 |
| KZ1000E6 Compressor Model ZS75K4E | 30°F | 98630 | 92350 | 89210 | 86070 | 82930 |
| | 25°F | 92100 | 85690 | 82490 | 79290 | 76080 |
| | 20°F | 86500 | 80610 | 77660 | 74710 | 71760 |
| | 10°F | 73080 | 67310 | 64420 | 61540 | 58650 |
| | 0°F | 60650 | 55500 | 52920 | 50350 | 47770 |
| | -10°F | 48960 | 44790 | 42700 | 40620 | 38530 |
| | -20°F | 39590 | 37060 | 35800 | 34530 | 33270 |
| KZ1300E6 Compressor Model ZS92K4E | 30°F | 124500 | 114650 | 109730 | 104810 | 99890 |
| | 25°F | 114880 | 105870 | 101370 | 96870 | 92360 |
| | 20°F | 106230 | 98190 | 94170 | 90150 | 86120 |
| | 10°F | 89390 | 82790 | 79490 | 76190 | 72900 |
| | 0°F | 74460 | 69100 | 66410 | 63730 | 61050 |
| | -10°F | 60440 | 56300 | 54230 | 52160 | 50090 |
| | -20°F | 49170 | 45770 | 44060 | 42360 | 40650 |
| KZ1500E6 Compressor Model ZS11M4E | 30°F | 137920 | 126780 | 121200 | 115630 | 110060 |
| | 25°F | 128310 | 118040 | 112900 | 107770 | 102630 |
| | 20°F | 118690 | 109510 | 104920 | 100330 | 95740 |
| | 10°F | 100230 | 92660 | 88870 | 85090 | 81300 |
| | 0°F | 83510 | 77400 | 74350 | 71300 | 68250 |
| | -10°F | 68490 | 63620 | 61190 | 58760 | 56330 |
| | -20°F | 55440 | 51540 | 49590 | 47650 | 45700 |

60Hz PERFORMANCE CAPACITY

Application Data Calculated at 65 °F. Return Gas, 0 °F. Liquid Subcooling

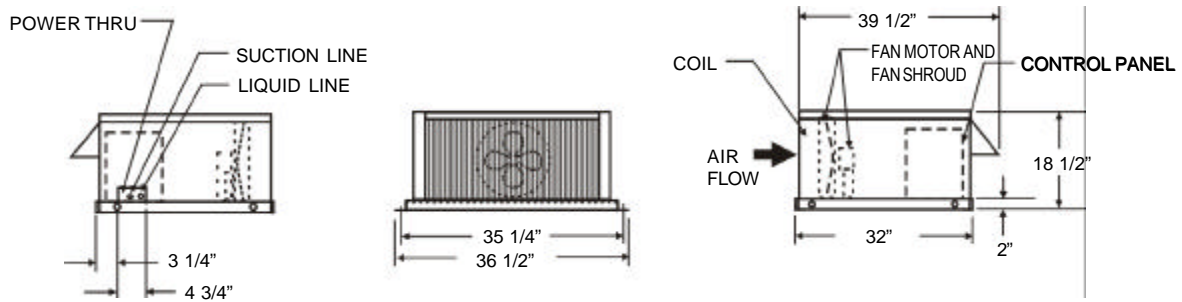
R404A, R507 - LOW TEMPERATURE - CAPACITY (BTU/HR) - LIQUID INJECTION

Unit Shipped with polyolester oil

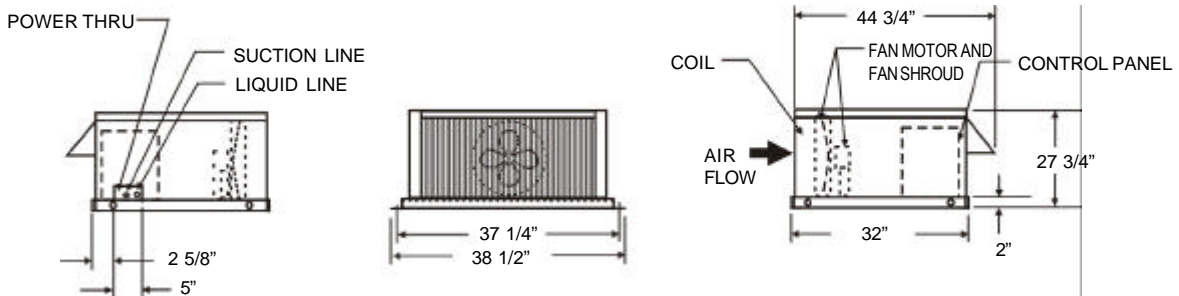
| COND. UNIT MODEL | SAT. SUCTION TEMP. °F | 80°F Amb. | 90°F Amb. | 95°F Amb. | 100°F Amb. | 105°F Amb. |
|---|-----------------------|-----------|-----------|-----------|------------|------------|
| KZ200L6 Compressor Model ZF06K4E | 0°F | 12360 | 11440 | 10980 | 10520 | 10060 |
| | -10°F | 10120 | 9410 | 9050 | 8700 | 8340 |
| | -20°F | 8210 | 7630 | 7350 | 7060 | 6770 |
| | -30°F | 6530 | 6060 | 5830 | 5600 | 5370 |
| | -40°F | 5060 | 4670 | 4470 | 4270 | 4080 |
| KZ250L6 Compressor Model ZF08K4E | 0°F | 15080 | 13980 | 13430 | 12880 | 12340 |
| | -10°F | 12440 | 11520 | 11050 | 10590 | 10130 |
| | -20°F | 10080 | 9370 | 9010 | 8650 | 8290 |
| | -30°F | 8060 | 7510 | 7230 | 6950 | 6670 |
| | -40°F | 6340 | 5880 | 5640 | 5410 | 5180 |
| KZ300L6 Compressor Model ZF09K4E | 0°F | 16700 | 15470 | 14860 | 14250 | 13630 |
| | -10°F | 13810 | 12800 | 12300 | 11790 | 11280 |
| | -20°F | 11240 | 10450 | 10060 | 9660 | 9270 |
| | -30°F | 8990 | 8370 | 8060 | 7750 | 7440 |
| | -40°F | 7080 | 6560 | 6310 | 6050 | 5800 |
| KZ350L6 Compressor Model ZF11K4E | 0°F | 20960 | 19390 | 18610 | 17830 | 17050 |
| | -10°F | 17190 | 15930 | 15300 | 14670 | 14040 |
| | -20°F | 13950 | 12970 | 12470 | 11980 | 11480 |
| | -30°F | 11210 | 10390 | 9990 | 9580 | 9170 |
| | -40°F | 8840 | 8200 | 7870 | 7550 | 7220 |
| KZ400L6 Compressor Model ZF13K4E | 0°F | 24960 | 22940 | 21930 | 20920 | 19910 |
| | -10°F | 20570 | 18850 | 17990 | 17120 | 16260 |
| | -20°F | 16630 | 15170 | 14440 | 13710 | 12990 |
| | -30°F | 13110 | 11910 | 11320 | 10720 | 10120 |
| | -40°F | 9970 | 9060 | 8610 | 8150 | 7700 |
| KZ500L6 Compressor Model ZF15K4E | 0°F | 29730 | 27470 | 26340 | 25220 | 24090 |
| | -10°F | 24560 | 22740 | 21820 | 20910 | 20000 |
| | -20°F | 19970 | 18450 | 17700 | 16940 | 16180 |
| | -30°F | 15940 | 14740 | 14140 | 13540 | 12940 |
| | -40°F | 12460 | 11480 | 10990 | 10510 | 10020 |
| KZ600L6 Compressor Model ZF18K4E | 0°F | 35730 | 33130 | 31830 | 30530 | 29220 |
| | -10°F | 29310 | 27230 | 26190 | 25150 | 24110 |
| | -20°F | 23720 | 22090 | 21280 | 20470 | 19660 |
| | -30°F | 18800 | 17580 | 16970 | 16360 | 15750 |
| | -40°F | 14670 | 13700 | 13210 | 12730 | 12240 |
| KZ750L6 Compressor Model ZF24K4E | 0°F | 42610 | 39480 | 37920 | 36360 | 34800 |
| | -10°F | 35030 | 32570 | 31330 | 30100 | 28870 |
| | -20°F | 28350 | 26400 | 25420 | 24440 | 23460 |
| | -30°F | 22530 | 21050 | 20310 | 19560 | 18820 |
| | -40°F | 17630 | 16380 | 15750 | 15120 | 14490 |
| KZ1000L6 Compressor Model ZF33K4E | 0°F | 61670 | 57310 | 55130 | 52950 | 50770 |
| | -10°F | 50920 | 47080 | 45170 | 43250 | 41330 |
| | -20°F | 41050 | 37790 | 36170 | 34540 | 32920 |
| | -30°F | 32140 | 29490 | 28170 | 26850 | 25520 |
| | -40°F | 24210 | 22210 | 21210 | 20210 | 19210 |
| KZ1300L6 Compressor Model ZF40K4E | 0°F | 74910 | 69410 | 66660 | 63910 | 61160 |
| | -10°F | 61580 | 57180 | 54980 | 52780 | 50590 |
| | -20°F | 49930 | 46440 | 44700 | 42960 | 41220 |
| | -30°F | 39930 | 37100 | 35680 | 34260 | 32840 |
| | -40°F | 31370 | 28990 | 27790 | 26600 | 25410 |
| KZ1500L6 Compressor Model ZF48K4E | 0°F | 84290 | 77960 | 74800 | 71630 | 68470 |
| | -10°F | 69520 | 64450 | 61920 | 59380 | 56850 |
| | -20°F | 56510 | 52490 | 50480 | 48460 | 46450 |
| | -30°F | 45270 | 42090 | 40500 | 38910 | 37330 |
| | -40°F | 35630 | 32900 | 31540 | 30180 | 28810 |

KZ - LINE DIMENSIONAL DATA

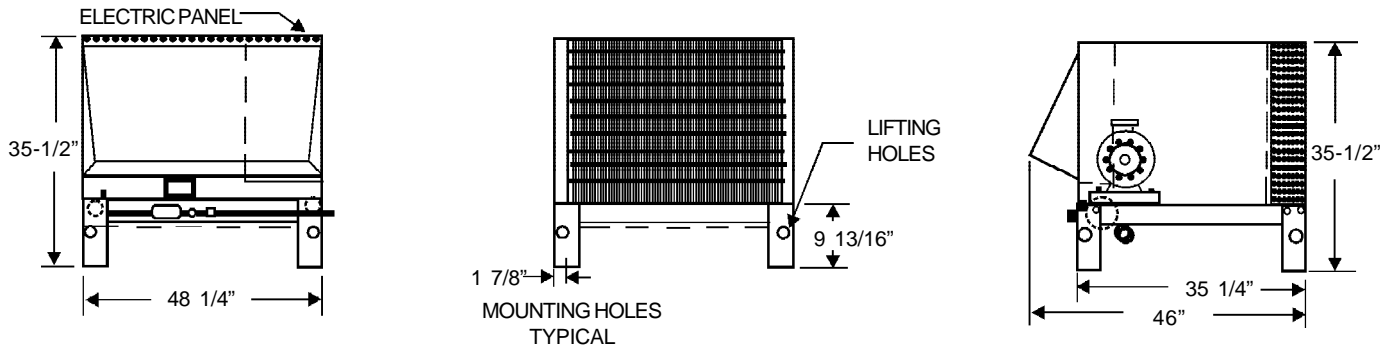
KZ200 (H2) (E6) (L6)



KZ250 (H2) (E6) (L6), KZ300 (H2) (E6) (L6), KZ350 (H2) (E6) (L6), KZ400 (E6) (L6)

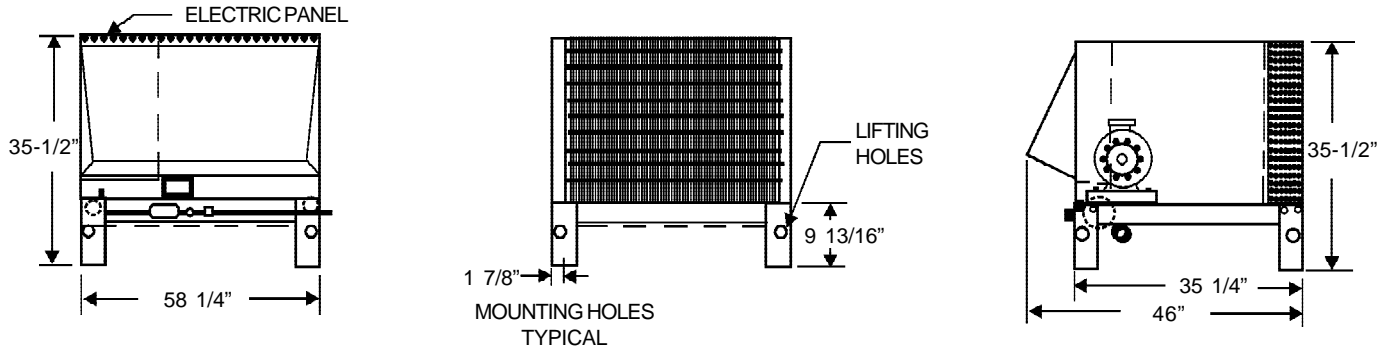


KZ500 (E6) (L6)

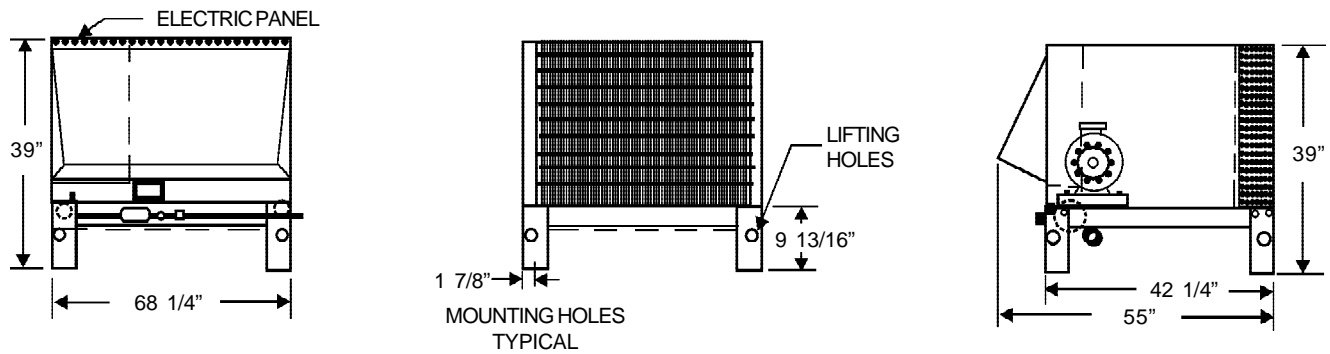


KZ - LINE DIMENSIONAL DATA

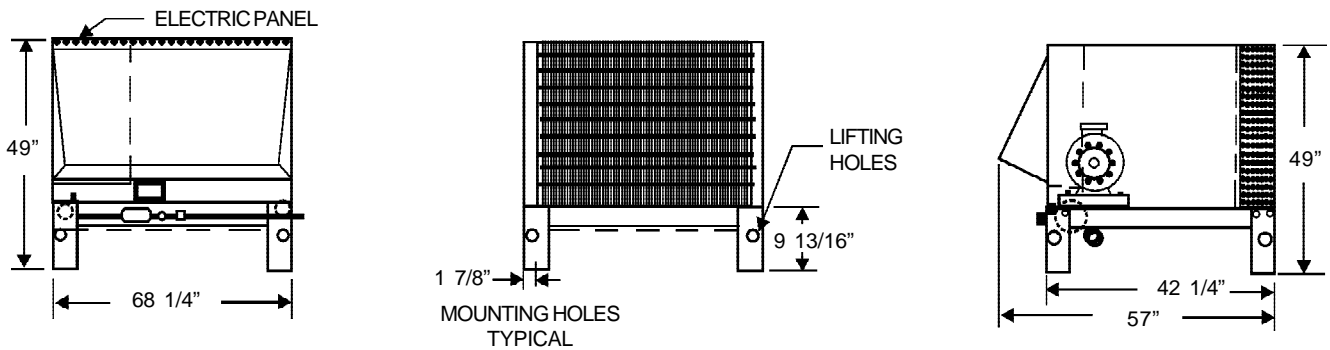
KZ400 (H2), KZ500 (H2), KZ600 (H2) (E6) (L6), KZ750 (E6) (L6)



KZ750 (H2), KZ900 (H2), KZ1000 (E6) (L6), KZ1300 (E6) (L6)



KZ1000 (H2), KZ1300 (H2), KZ1500 (H2) (E6) (L6)



KZ - LINE SPECIFICATIONS

| MODEL | COMPRESSOR | CONNECTIONS | | RECEIVER CAPACITY @ 90% FULL (LBS) | | SHIPPING WEIGHT (LBS) |
|------------------------------|------------|-------------|--------------|---------------------------------------|---------|--------------------------|
| | | LIQUID (OD) | SUCTION (OD) | INDOOR | OUTDOOR | |
| KZ200H2 - HS2, HT3, HT4 | ZB15KA | 3/8 | 7/8 | 15 | 15 | 260 |
| KZ250H2 - HS2, HT3, HT4 | ZB19KA | 1/2 | 1 1/8 | 21 | 21 | 380 |
| KZ300H2 - HS2, HT3, HT4, HT5 | ZB21KA | 1/2 | 1 1/8 | 21 | 21 | 380 |
| KZ350H2 - HS2, HT3, HT4, HT5 | ZB26KA | 1/2 | 1 1/8 | 21 | 21 | 540 |
| KZ400H2 - HS2, HT3, HT4, HT5 | ZB30KA | 1/2 | 1 1/8 | 44 | 70 | 585 |
| KZ500H2 - HS2, HT3, HT4, HT5 | ZB38KA | 5/8 | 1 3/8 | 44 | 70 | 685 |
| KZ600H2 - HT3, HT4, HT5 | ZB45KA | 5/8 | 1 3/8 | 44 | 70 | 760 |
| KZ750H2 - HT3, HT4, HT5 | ZB56KA | 5/8 | 1 3/8 | 70 | 70 | 880 |
| KZ900H2 - HT3, HT4, HT5 | ZB68KA | 5/8 | 1 3/8 | 70 | 70 | 900 |
| KZ1000H2 - HT3, HT4, HT5 | ZB75KA | 5/8 | 1 3/8 | 70 | 95 | 1090 |
| KZ1300H2 - HT3, HT4, HT5 | ZB92KA | 5/8 | 1 3/8 | 82 | 119 | 1090 |
| KZ1500H2 - HT3, HT4, HT5 | ZB11MA | 7/8 | 1 5/8 | 82 | 119 | 1260 |
| KZ200L6 - HS2, HT3, HT4 | ZF06K4E | 1/2 | 7/8 | 12 | 12 | 260 |
| KZ250L6 - HS2, HT3, HT4 | ZF08K4E | 1/2 | 7/8 | 12 | 12 | 380 |
| KZ300L6 - HS2, HT3, HT4, HT5 | ZF09K4E | 1/2 | 1 1/8 | 12 | 12 | 380 |
| KZ350L6 - HS2, HT3, HT4, HT5 | ZF11K4E | 1/2 | 1 1/8 | 25 | 25 | 540 |
| KZ400L6 - HS2, HT3, HT4, HT5 | ZF13K4E | 1/2 | 1 1/8 | 30 | 30 | 585 |
| KZ500L6 - HS2, HT3, HT4, HT5 | ZF15K4E | 1/2 | 1 1/8 | 30 | 30 | 685 |
| KZ600L6 - HT3, HT4, HT5 | ZF18K4E | 5/8 | 1 3/8 | 38 | 38 | 760 |
| KZ750L6 - HT3, HT4, HT5 | ZF24K4E | 5/8 | 1 3/8 | 38 | 61 | 880 |
| KZ1000L6 - HT3, HT4, HT5 | ZF33K4E | 5/8 | 1 3/8 | 61 | 61 | 1090 |
| KZ1300L6 - HT3, HT4, HT5 | ZF40K4E | 5/8 | 1 3/8 | 61 | 61 | 1090 |
| KZ1500L6 - HT3, HT4, HT5 | ZF48K4E | 5/8 | 1 3/8 | 72 | 72 | 1260 |
| KZ200E6 - HS2, HT3, HT4 | ZS15K4E | 1/2 | 7/8 | 12 | 12 | 260 |
| KZ250E6 - HS2, HT3, HT4 | ZS19K4E | 1/2 | 7/8 | 12 | 12 | 380 |
| KZ300E6 - HS2, HT3, HT4, HT5 | ZS21K4E | 1/2 | 1 1/8 | 12 | 12 | 380 |
| KZ350E6 - HS2, HT3, HT4, HT5 | ZS26K4E | 1/2 | 1 1/8 | 25 | 25 | 540 |
| KZ400E6 - HS2, HT3, HT4, HT5 | ZS30K4E | 1/2 | 1 1/8 | 30 | 30 | 585 |
| KZ500E6 - HS2, HT3, HT4, HT5 | ZS38K4E | 1/2 | 1 1/8 | 30 | 30 | 685 |
| KZ600E6 - HT3, HT4, HT5 | ZS45K4E | 5/8 | 1 3/8 | 38 | 38 | 760 |
| KZ750E6 - HT3, HT4, HT5 | ZS56K4E | 5/8 | 1 3/8 | 38 | 61 | 880 |
| KZ1000E6 - HT3, HT4, HT5 | ZS75K4E | 5/8 | 1 3/8 | 61 | 61 | 1090 |
| KZ1300E6 - HT3, HT4, HT5 | ZS92K4E | 5/8 | 1 3/8 | 61 | 61 | 1090 |
| KZ1500E6 - HT3, HT4, HT5 | ZS11M4E | 5/8 | 1 3/8 | 72 | 72 | 1260 |

KZ - LINE 60Hz ELECTRICAL SPECIFICATIONS

| MODEL | POWER SUPPLY | COMPRESSOR | | CONDENSER FANS | | | TOTAL AMPS | M.C.A. | M.O.P. |
|----------|--------------|------------|-------|----------------|------|------|------------|--------|--------|
| | | RLA | LRA | QTY | HP @ | FLA@ | | | |
| KZ200H2 | 208-230/1/60 | 13.6 | 61.0 | 2 | 1/15 | 0.85 | 15.3 | 18.7 | 30 |
| KZ200H2 | 208-230/3/60 | 6.4 | 40.0 | 2 | 1/15 | 0.85 | 8.1 | 9.7 | 15 |
| KZ200H2 | 460/3/60 | 4.3 | 27.0 | 2 | 1/15 | 0.43 | 5.2 | 6.2 | 15 |
| KZ250H2 | 208-230/1/60 | 15.0 | 73.0 | 1 | 1/3 | 3.2 | 18.2 | 22.0 | 35 |
| KZ250H2 | 208-230/3/60 | 10.7 | 63.0 | 1 | 1/3 | 3.2 | 13.9 | 16.6 | 25 |
| KZ250H2 | 460/3/60 | 5.0 | 31.0 | 1 | 1/3 | 1.6 | 6.6 | 7.9 | 15 |
| KZ300H2 | 208-230/1/60 | 17.9 | 88.0 | 1 | 1/3 | 3.2 | 21.1 | 25.6 | 40 |
| KZ300H2 | 208-230/3/60 | 11.4 | 77.0 | 1 | 1/3 | 3.2 | 14.6 | 17.5 | 25 |
| KZ300H2 | 460/3/60 | 5.7 | 39.0 | 1 | 1/3 | 1.6 | 7.3 | 8.7 | 15 |
| KZ300H2 | 575/3/60 | 4.7 | 31.0 | 1 | 1/3 | 1.6 | 6.3 | 7.5 | 15 |
| KZ350H2 | 208-230/1/60 | 20.4 | 109.0 | 1 | 1/3 | 3.2 | 23.6 | 28.7 | 45 |
| KZ350H2 | 208-230/3/60 | 13.9 | 88.0 | 1 | 1/3 | 3.2 | 17.1 | 20.6 | 30 |
| KZ350H2 | 460/3/60 | 7.1 | 44.0 | 1 | 1/3 | 1.6 | 8.7 | 10.5 | 15 |
| KZ350H2 | 575/3/60 | 5.3 | 34.0 | 1 | 1/3 | 1.6 | 6.9 | 8.2 | 15 |
| KZ400H2 | 208-230/1/60 | 26.4 | 129.0 | 2 | 1/3 | 3.2 | 32.8 | 39.4 | 60 |
| KZ400H2 | 208-230/3/60 | 15.0 | 99.0 | 2 | 1/3 | 3.2 | 21.4 | 25.2 | 40 |
| KZ400H2 | 460/3/60 | 8.2 | 49.5 | 2 | 1/3 | 1.6 | 11.4 | 13.5 | 20 |
| KZ400H2 | 575/3/60 | 6.4 | 40.0 | 2 | 1/3 | 1.6 | 9.6 | 11.2 | 15 |
| KZ500H2 | 208-230/1/60 | 32.1 | 169.0 | 2 | 1/3 | 3.2 | 38.5 | 46.5 | 70 |
| KZ500H2 | 208-230/3/60 | 19.3 | 123.0 | 2 | 1/3 | 3.2 | 25.7 | 30.5 | 45 |
| KZ500H2 | 460/3/60 | 10.0 | 62.0 | 2 | 1/3 | 1.6 | 13.2 | 15.7 | 25 |
| KZ500H2 | 575/3/60 | 7.8 | 50.0 | 2 | 1/3 | 1.6 | 11.0 | 13.0 | 20 |
| KZ600H2 | 208-230/3/60 | 20.7 | 156.0 | 2 | 1/3 | 3.2 | 27.1 | 32.3 | 50 |
| KZ600H2 | 460/3/60 | 10.0 | 70.0 | 2 | 1/3 | 1.6 | 13.2 | 15.7 | 25 |
| KZ600H2 | 575/3/60 | 8.2 | 54.0 | 2 | 1/3 | 1.6 | 11.4 | 13.5 | 20 |
| KZ750H2 | 208-230/3/60 | 27.2 | 189.0 | 2 | 3/4 | 4.2 | 35.6 | 42.4 | 60 |
| KZ750H2 | 460/3/60 | 14.3 | 94.0 | 2 | 3/4 | 2.1 | 18.5 | 22.1 | 35 |
| KZ750H2 | 575/3/60 | 10.4 | 74.0 | 2 | 3/4 | 2.1 | 14.6 | 17.2 | 25 |
| KZ900H2 | 208-230/3/60 | 34.3 | 232.0 | 2 | 3/4 | 4.2 | 42.7 | 51.3 | 80 |
| KZ900H2 | 460/3/60 | 17.5 | 125.0 | 2 | 3/4 | 2.1 | 21.7 | 26.1 | 40 |
| KZ900H2 | 575/3/60 | 13.2 | 100.0 | 2 | 3/4 | 2.1 | 17.4 | 20.7 | 30 |
| KZ1000H2 | 208-230/3/60 | 38.6 | 278.0 | 2 | 3/4 | 4.2 | 47.0 | 56.7 | 90 |
| KZ1000H2 | 460/3/60 | 18.9 | 127.0 | 2 | 3/4 | 2.1 | 23.1 | 27.8 | 45 |
| KZ1000H2 | 575/3/60 | 15.7 | 100.0 | 2 | 3/4 | 2.1 | 19.9 | 23.8 | 35 |
| KZ1300H2 | 208-230/3/60 | 47.1 | 350.0 | 2 | 3/4 | 4.2 | 55.5 | 67.3 | 110 |
| KZ1300H2 | 460/3/60 | 25.0 | 158.0 | 2 | 3/4 | 2.1 | 29.2 | 35.5 | 60 |
| KZ1300H2 | 575/3/60 | 19.9 | 125.0 | 2 | 3/4 | 2.1 | 24.1 | 29.1 | 45 |
| KZ1500H2 | 208-230/3/60 | 60.3 | 425.0 | 2 | 3/4 | 4.2 | 68.7 | 83.8 | 140 |
| KZ1500H2 | 460/3/60 | 27.2 | 187.0 | 2 | 3/4 | 2.1 | 31.4 | 38.2 | 60 |
| KZ1500H2 | 575/3/60 | 23.5 | 148.0 | 2 | 3/4 | 2.1 | 27.7 | 33.6 | 50 |

M.C.A. = Minimum Circuit Ampacity

M.O.P. = Maximum Overcurrent Protection

KZ - LINE 60Hz ELECTRICAL SPECIFICATIONS

| MODEL | POWER SUPPLY | COMPRESSOR | | CONDENSER FANS | | | TOTAL AMPS | M.C.A. | M.O.P. |
|----------|--------------|------------|-------|----------------|------|------|------------|--------|--------|
| | | RLA | LRA | QTY | HP @ | FLA@ | | | |
| KZ200E6 | 208-230/1/60 | 13.6 | 61.0 | 2 | 1/15 | 0.85 | 15.3 | 18.7 | 30 |
| KZ200E6 | 208-230/3/60 | 9.3 | 55.0 | 2 | 1/15 | 0.85 | 11.0 | 13.3 | 20 |
| KZ200E6 | 460/3/60 | 4.3 | 27.0 | 2 | 1/15 | 0.43 | 5.2 | 6.2 | 15 |
| KZ250E6 | 208-230/1/60 | 16.4 | 73.0 | 1 | 1/3 | 3.2 | 19.6 | 23.7 | 40 |
| KZ250E6 | 208-230/3/60 | 9.7 | 63.0 | 1 | 1/3 | 3.2 | 12.9 | 15.3 | 25 |
| KZ250E6 | 460/3/60 | 5.0 | 31.0 | 1 | 1/3 | 1.6 | 6.6 | 7.9 | 15 |
| KZ300E6 | 208-230/1/60 | 16.4 | 88.0 | 1 | 1/3 | 3.2 | 19.6 | 23.7 | 40 |
| KZ300E6 | 208-230/3/60 | 11.1 | 77.0 | 1 | 1/3 | 3.2 | 14.3 | 17.1 | 25 |
| KZ300E6 | 460/3/60 | 5.7 | 39.0 | 1 | 1/3 | 1.6 | 7.3 | 8.7 | 15 |
| KZ300E6 | 575/3/60 | 4.3 | 31.0 | 1 | 1/3 | 1.6 | 5.9 | 7.0 | 15 |
| KZ350E6 | 208-230/1/60 | 20.7 | 109.0 | 1 | 1/3 | 3.2 | 23.9 | 29.1 | 45 |
| KZ350E6 | 208-230/3/60 | 13.6 | 88.0 | 1 | 1/3 | 3.2 | 16.8 | 20.2 | 30 |
| KZ350E6 | 460/3/60 | 7.1 | 44.0 | 1 | 1/3 | 1.6 | 8.7 | 10.5 | 15 |
| KZ350E6 | 575/3/60 | 5.0 | 34.0 | 1 | 1/3 | 1.6 | 6.6 | 7.9 | 15 |
| KZ400E6 | 208-230/1/60 | 26.8 | 129.0 | 1 | 1/3 | 3.2 | 30.0 | 36.7 | 60 |
| KZ400E6 | 208-230/3/60 | 15.0 | 99.0 | 1 | 1/3 | 3.2 | 18.2 | 22.0 | 35 |
| KZ400E6 | 460/3/60 | 8.2 | 49.5 | 1 | 1/3 | 1.6 | 9.8 | 11.9 | 20 |
| KZ400E6 | 575/3/60 | 6.8 | 40.0 | 1 | 1/3 | 1.6 | 8.4 | 10.1 | 15 |
| KZ500E6 | 208-230/1/60 | 31.8 | 169.0 | 1 | 1/3 | 3.2 | 35.0 | 43.0 | 70 |
| KZ500E6 | 208-230/3/60 | 21.4 | 123.0 | 1 | 1/3 | 3.2 | 24.6 | 30.0 | 50 |
| KZ500E6 | 460/3/60 | 9.6 | 62.0 | 1 | 1/3 | 1.6 | 11.2 | 13.6 | 20 |
| KZ500E6 | 575/3/60 | 7.9 | 50.0 | 1 | 1/3 | 1.6 | 9.5 | 11.5 | 15 |
| KZ600E6 | 208-230/3/60 | 23.9 | 156.0 | 2 | 1/3 | 3.2 | 30.3 | 36.3 | 60 |
| KZ600E6 | 460/3/60 | 9.3 | 70.0 | 2 | 1/3 | 1.6 | 12.5 | 14.8 | 20 |
| KZ600E6 | 575/3/60 | 7.9 | 54.0 | 2 | 1/3 | 1.6 | 11.1 | 13.1 | 20 |
| KZ750E6 | 208-230/3/60 | 30.9 | 189.0 | 2 | 1/3 | 3.2 | 37.3 | 45.0 | 70 |
| KZ750E6 | 460/3/60 | 16.2 | 94.0 | 2 | 1/3 | 1.6 | 19.4 | 23.5 | 35 |
| KZ750E6 | 575/3/60 | 11.8 | 74.0 | 2 | 1/3 | 1.6 | 15.0 | 18.0 | 25 |
| KZ1000E6 | 208-230/3/60 | 44.9 | 278.0 | 2 | 3/4 | 4.2 | 53.3 | 64.5 | 100 |
| KZ1000E6 | 460/3/60 | 21.7 | 127.0 | 2 | 3/4 | 2.1 | 25.9 | 31.3 | 50 |
| KZ1000E6 | 575/3/60 | 16.6 | 100.0 | 2 | 3/4 | 2.1 | 20.8 | 25.0 | 40 |
| KZ1300E6 | 208-230/3/60 | 52.9 | 350.0 | 2 | 3/4 | 4.2 | 61.3 | 74.5 | 120 |
| KZ1300E6 | 460/3/60 | 26.5 | 175.0 | 2 | 3/4 | 2.1 | 30.7 | 37.3 | 60 |
| KZ1300E6 | 575/3/60 | 21.2 | 140.0 | 2 | 3/4 | 2.1 | 25.4 | 30.7 | 50 |
| KZ1500E6 | 208-230/3/60 | 60.0 | 425.0 | 2 | 3/4 | 4.2 | 68.4 | 83.4 | 140 |
| KZ1500E6 | 460/3/60 | 28.2 | 187.0 | 2 | 3/4 | 2.1 | 32.4 | 39.5 | 60 |
| KZ1500E6 | 575/3/60 | 22.5 | 148.0 | 2 | 3/4 | 2.1 | 26.7 | 32.3 | 50 |

M.C.A. = Minimum Circuit Ampacity

M.O.P. = Maximum Overcurrent Protection

KZ - LINE 60Hz ELECTRICAL SPECIFICATIONS

| MODEL | POWER SUPPLY | COMPRESSOR | | CONDENSER FANS | | | TOTAL AMPS | M.C.A. | M.O.P. |
|----------|--------------|------------|-------|----------------|------|------|------------|--------|--------|
| | | RLA | LRA | QTY | HP @ | FLA@ | | | |
| KZ200L6 | 208-230/1/60 | 13.6 | 61.0 | 2 | 1/15 | 0.85 | 15.3 | 18.7 | 30 |
| KZ200L6 | 208-230/3/60 | 9.3 | 55.0 | 2 | 1/15 | 0.85 | 11.0 | 13.3 | 20 |
| KZ200L6 | 460/3/60 | 4.3 | 27.0 | 2 | 1/15 | 0.43 | 5.2 | 6.2 | 15 |
| KZ250L6 | 208-230/1/60 | 16.4 | 73.0 | 1 | 1/3 | 3.2 | 19.6 | 23.7 | 40 |
| KZ250L6 | 208-230/3/60 | 9.7 | 63.0 | 1 | 1/3 | 3.2 | 12.9 | 15.3 | 25 |
| KZ250L6 | 460/3/60 | 5.0 | 31.0 | 1 | 1/3 | 1.6 | 6.6 | 7.9 | 15 |
| KZ300L6 | 208-230/1/60 | 16.4 | 88.0 | 1 | 1/3 | 3.2 | 19.6 | 23.7 | 40 |
| KZ300L6 | 208-230/3/60 | 11.1 | 77.0 | 1 | 1/3 | 3.2 | 14.3 | 17.1 | 25 |
| KZ300L6 | 460/3/60 | 5.7 | 39.0 | 1 | 1/3 | 1.6 | 7.3 | 8.7 | 15 |
| KZ300L6 | 575/3/60 | 4.3 | 31.0 | 1 | 1/3 | 1.6 | 5.9 | 7.0 | 15 |
| KZ350L6 | 208-230/1/60 | 20.7 | 109.0 | 1 | 1/3 | 3.2 | 23.9 | 29.1 | 45 |
| KZ350L6 | 208-230/3/60 | 13.6 | 88.0 | 1 | 1/3 | 3.2 | 16.8 | 20.2 | 30 |
| KZ350L6 | 460/3/60 | 7.1 | 44.0 | 1 | 1/3 | 1.6 | 8.7 | 10.5 | 15 |
| KZ350L6 | 575/3/60 | 5.0 | 34.0 | 1 | 1/3 | 1.6 | 6.6 | 7.9 | 15 |
| KZ400L6 | 208-230/1/60 | 26.8 | 129.0 | 1 | 1/3 | 3.2 | 30.0 | 36.7 | 60 |
| KZ400L6 | 208-230/3/60 | 15.0 | 99.0 | 1 | 1/3 | 3.2 | 18.2 | 22.0 | 35 |
| KZ400L6 | 460/3/60 | 8.2 | 49.5 | 1 | 1/3 | 1.6 | 9.8 | 11.9 | 20 |
| KZ400L6 | 575/3/60 | 6.8 | 40.0 | 1 | 1/3 | 1.6 | 8.4 | 10.1 | 15 |
| KZ500L6 | 208-230/1/60 | 31.8 | 169.0 | 1 | 1/3 | 3.2 | 35.0 | 43.0 | 70 |
| KZ500L6 | 208-230/3/60 | 21.4 | 123.0 | 1 | 1/3 | 3.2 | 24.6 | 30.0 | 50 |
| KZ500L6 | 460/3/60 | 9.6 | 62.0 | 1 | 1/3 | 1.6 | 11.2 | 13.6 | 20 |
| KZ500L6 | 575/3/60 | 7.9 | 50.0 | 1 | 1/3 | 1.6 | 9.5 | 11.5 | 15 |
| KZ600L6 | 208-230/3/60 | 23.9 | 156.0 | 2 | 1/3 | 3.2 | 30.3 | 36.3 | 60 |
| KZ600L6 | 460/3/60 | 9.3 | 70.0 | 2 | 1/3 | 1.6 | 12.5 | 14.8 | 20 |
| KZ600L6 | 575/3/60 | 7.9 | 54.0 | 2 | 1/3 | 1.6 | 11.1 | 13.1 | 20 |
| KZ750L6 | 208-230/3/60 | 30.9 | 189.0 | 2 | 1/3 | 3.2 | 37.3 | 45.0 | 70 |
| KZ750L6 | 460/3/60 | 16.2 | 94.0 | 2 | 1/3 | 1.6 | 19.4 | 23.5 | 35 |
| KZ750L6 | 575/3/60 | 11.8 | 74.0 | 2 | 1/3 | 1.6 | 15.0 | 18.0 | 25 |
| KZ1000L6 | 208-230/3/60 | 44.9 | 278.0 | 2 | 3/4 | 4.2 | 53.3 | 64.5 | 100 |
| KZ1000L6 | 460/3/60 | 21.7 | 127.0 | 2 | 3/4 | 2.1 | 25.9 | 31.3 | 50 |
| KZ1000L6 | 575/3/60 | 16.6 | 100.0 | 2 | 3/4 | 2.1 | 20.8 | 25.0 | 40 |
| KZ1300L6 | 208-230/3/60 | 52.9 | 350.0 | 2 | 3/4 | 4.2 | 61.3 | 74.5 | 120 |
| KZ1300L6 | 460/3/60 | 26.5 | 175.0 | 2 | 3/4 | 2.1 | 30.7 | 37.3 | 60 |
| KZ1300L6 | 575/3/60 | 21.2 | 140.0 | 2 | 3/4 | 2.1 | 25.4 | 30.7 | 50 |
| KZ1500L6 | 208-230/3/60 | 60.0 | 425.0 | 2 | 3/4 | 4.2 | 68.4 | 83.4 | 140 |
| KZ1500L6 | 460/3/60 | 28.2 | 187.0 | 2 | 3/4 | 2.1 | 32.4 | 39.5 | 60 |
| KZ1500L6 | 575/3/60 | 22.5 | 148.0 | 2 | 3/4 | 2.1 | 26.7 | 32.3 | 50 |

M.C.A. = Minimum Circuit Ampacity

M.O.P. = Maximum Overcurrent Protection



NATIONAL REFRIGERATION & AIR CONDITIONING CANADA CORP.

159 ROY BLVD., BRANTFORD, ONTARIO, CANADA N3T 5Y6

PHONE: 1-800-463-9517 (519)751-0444 FAX (519)753-1140



Due to National Refrigeration's policy of continuous product improvement, we reserve the right to make changes without notice.